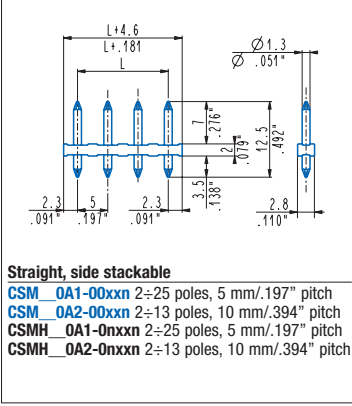
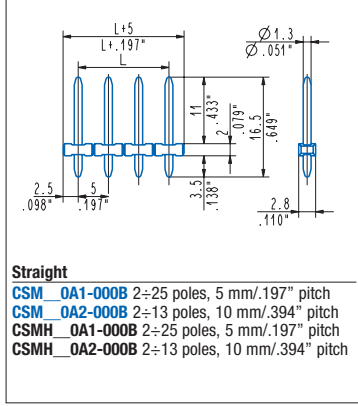
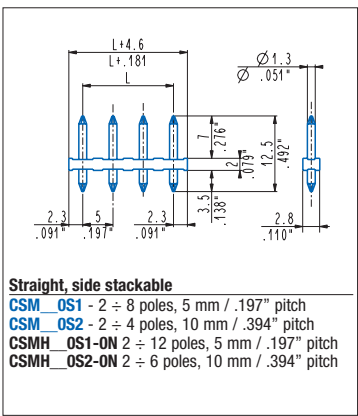
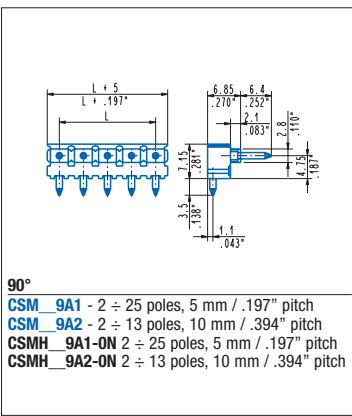
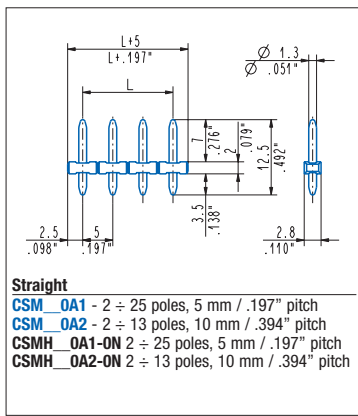


**General data**

<b>Dimensional class:</b>	low
<b>Standard colour:</b>	green for wave soldering, black for reflow soldering
<b>Pitches:</b>	metric 5 mm, 10 mm (.197 in, .394 in)
<b>PCB thickness:</b>	max 2.4 mm (.094 in)
<b>PCB hole diameter:</b>	min 1.4 mm (.055 in)
<b>Operating temperature range:</b>	-40 °C ÷ +105 °C (-40 °F ÷ +221 °F)
<b>STH perating temperature range:</b>	-40 °C ÷ +105 °C (-40 °F ÷ +221 °F)
<b>Contact resistance:</b>	<15 mΩ
<b>Insulation resistance:</b>	>10 <sup>9</sup> Ω (500V DC)
<b>Insulating material group:</b>	1 (CTI ≥ 600V)

**Certifications**

- UL (n. E167473)**  
300 V - 12 A - for 5 mm pitch  
600 V - 12 A - for 10 mm pitch
- VDE (n. 40013401)**  
250 V - 12 A - 1.5 mm<sup>2</sup> - T95 - 2,5kV - 2 for 5 mm pitch  
750 V - 12 A - 1.5 mm<sup>2</sup> - T95 - 2,5kV - 2 for 10 mm pitch
- IMQ (n. EE099)**  
300 V - 11 A - 2.5 mm<sup>2</sup> - T110 - 4kV - III/2 - T110 / 300 V 11 A - 2.5 mm<sup>2</sup> - T110 - 4 kV - III/2 - T110 for 5 mm pitch  
1000 V - 11 A - 2.5 mm<sup>2</sup> - T110 - 8kV - III/2 - T110 / 1000 V 11 A - 2.5 mm<sup>2</sup> - T110 - 8 kV - III/2 - T110 for 10 mm pitch
- CSA (n. LR102896)**  
300 V - 12 A for 5 mm pitch  
600 V - 12 A for 10 mm pitch



Usable with:

CXF

CSF

