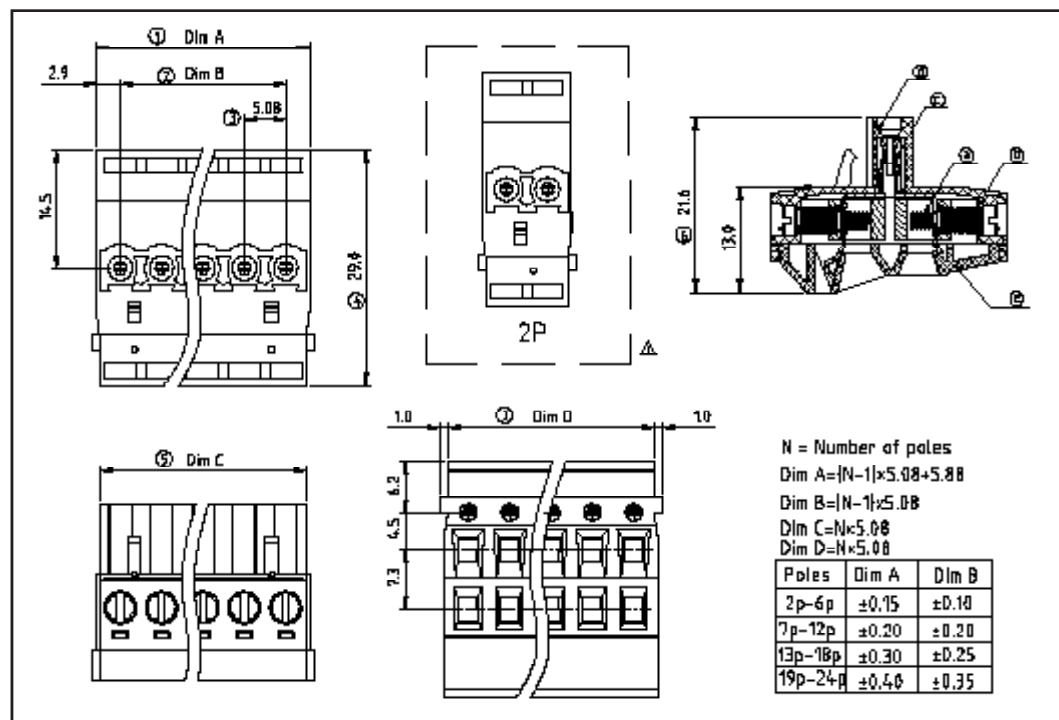


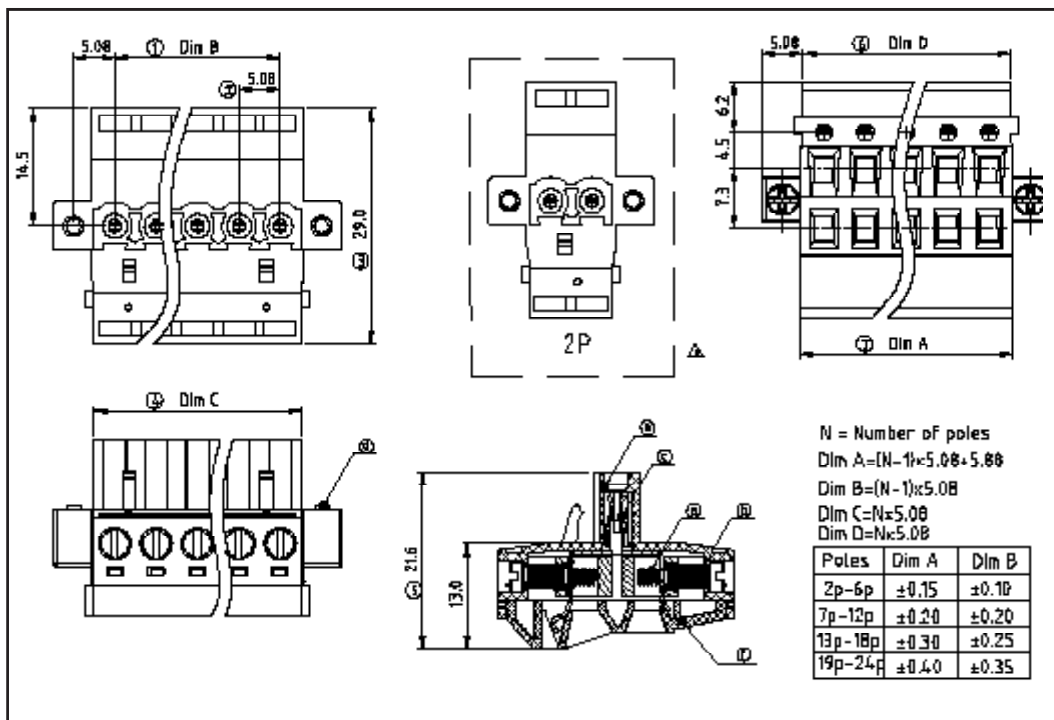


### TECHNICAL INFORMATION

<b>HRFK Series</b>	
Pitch Available (mm)	5.08
Poles Available	2 - 24
Voltage Rating	300V
Withstanding Voltage	1.6KV
Current Rating	20A
Wire Strip Length	7~8mm
Solid Wire (AWG)	12 - 24
Stranded Wire (AWG)	12 - 24
Housing	Thermoplastic (UL94V-0)
Operating Temperature	-40°C + 115 °C

### DRAWINGS





### ORDERING CODES

