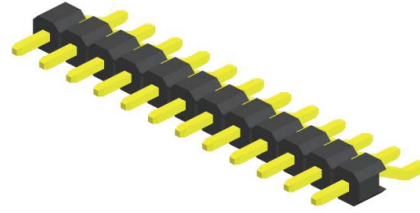


## Specifications

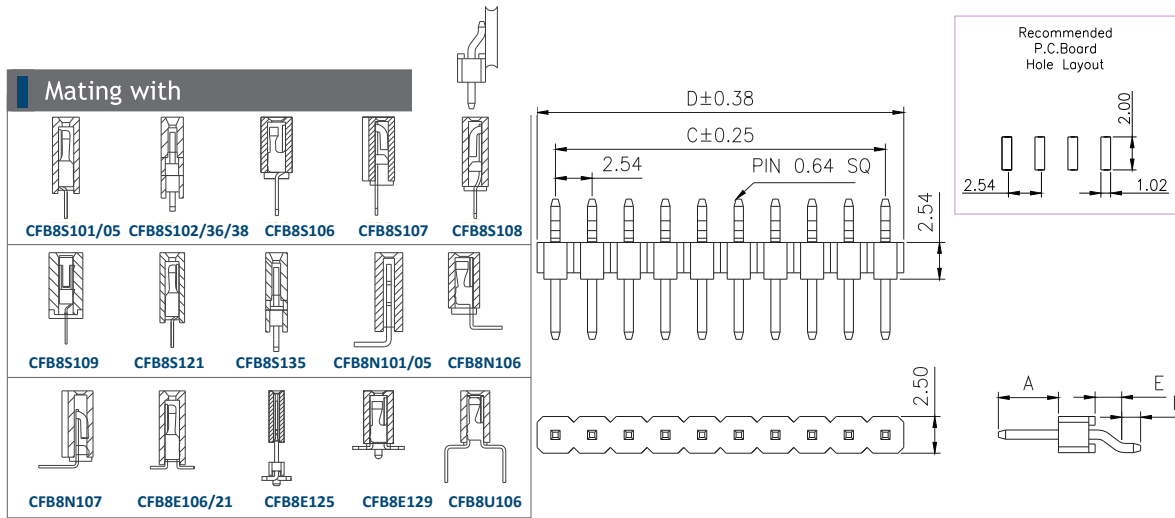
Current Rating : 3.0 Ampere  
 Insulation Resistance : 1000 MΩ Min  
 Dielectric Withstanding : 600V AC  
 Contact Resistance : 20 mΩ Max  
 Operating Temperature : -40°C to +105°C

## Materials

Contact Material : Brass  
 Insulation Material : High Temperature Thermoplastic, 94V-0 Nylon

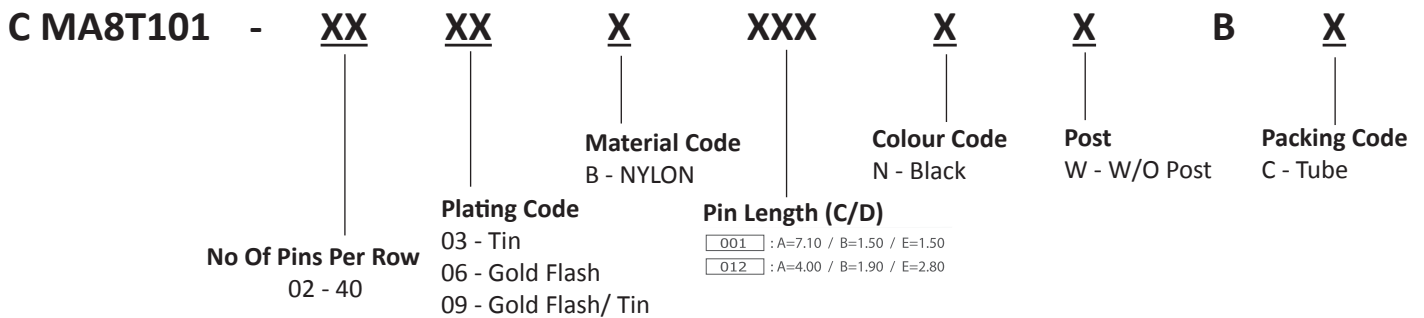


## Mating with



No. of Pins/Row	Dimension Information			No. of Pins/Row	Dimension Information			No. of Pins/Row	Dimension Information		
	C	D			C	D			C	D	
02	2.54	5.08		11	25.40	27.94		21	50.80	53.34	
03	5.08	7.62		12	27.94	30.48		22	53.34	55.88	
04	7.62	10.16		13	30.48	33.02		23	55.88	58.42	
05	10.16	12.70		14	33.02	35.56		24	58.42	60.96	
06	12.70	15.24		15	35.56	38.10		25	60.96	63.50	
07	15.24	17.78		16	38.10	40.64		26	63.50	66.04	
08	17.78	20.32		17	40.64	43.18		27	66.04	68.58	
09	20.32	22.86		18	43.18	45.72		28	68.58	71.12	
10	22.86	25.40		19	45.72	48.26		29	71.12	73.66	
				20	48.26	50.80		30	73.66	76.20	
								31	76.20	78.74	
								32	78.74	81.28	
								33	81.28	83.82	
								34	83.82	86.36	
								35	86.36	88.90	
								36	88.90	91.44	
								37	91.44	93.98	
								38	93.98	96.52	
								39	96.52	99.06	
								40	99.06	101.60	

## Ordering Codes



For special length requirement  
 Please contact our sales personnel

Due to technical progress, all designs, specifications and components are subject to change without notice.