

## Specifications

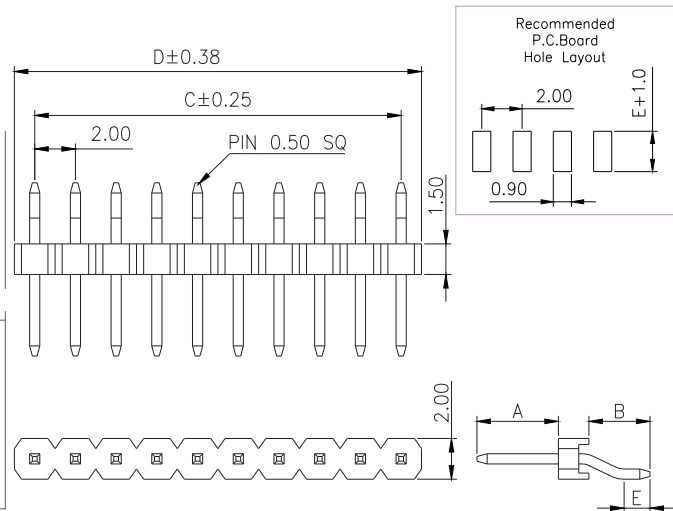
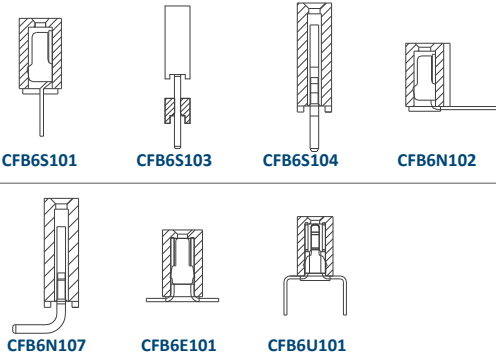
Current Rating :	2.0 Ampere
Insulation Resistance :	1000 MΩ Min
Dielectric Withstanding :	500V AC
Contact Resistance :	20 mΩ Max
Operating Temperature :	-40°C to +105°C

## Materials

Contact Material :	Brass
Insulation Material :	High Temperature Thermoplastic, 94V-0 Nylon



## Mating with



No. of Pins/Row	Dimension Information		No. of Pins/Row	Dimension Information		No. of Pins/Row	Dimension Information		No. of Pins/Row	Dimension Information	
	C	D		C	D		C	D		C	D
02	2.00	4.00	11	20.00	22.00	21	40.00	42.00	31	60.00	62.00
03	4.00	6.00	12	22.00	24.00	22	42.00	44.00	32	62.00	64.00
04	6.00	8.00	13	24.00	26.00	23	44.00	46.00	33	64.00	66.00
05	8.00	10.00	14	26.00	28.00	24	46.00	48.00	34	66.00	68.00
06	10.00	12.00	15	28.00	30.00	25	48.00	50.00	35	68.00	70.00
07	12.00	14.00	16	30.00	32.00	26	50.00	52.00	36	70.00	72.00
08	14.00	16.00	17	32.00	34.00	27	52.00	54.00	37	72.00	74.00
09	16.00	18.00	18	34.00	36.00	28	54.00	56.00	38	74.00	76.00
10	18.00	20.00	19	36.00	38.00	29	56.00	58.00	39	76.00	78.00
			20	38.00	40.00	30	58.00	60.00	40	78.00	80.00

## Ordering Codes

**C MA6T102 - XX XX X XXX X X B X**

**No Of Pins Per Row**  
02 - 40

**Plating Code**  
03 - Tin  
06 - Gold Flash  
09 - Gold Flash/ Tin

**Material Code**  
B - NYLON

**Colour Code**  
N - Black

**Pin Length (C/D)**  
004 : A=4.00 / B=3.00 / E=1.27  
010 : A=3.00 / B=2.30 / E=0.95

**Post**  
W - W/O Post

**Packing Code**  
C - Tube

For special length requirement  
Please contact our sales personnel

Due to technical progress, all designs, specifications and components are subject to change without notice.