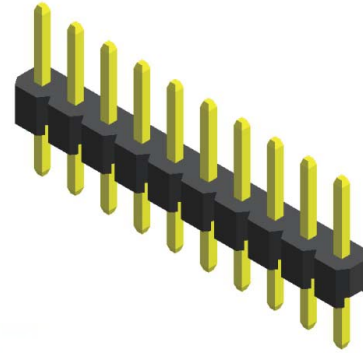


## Specifications

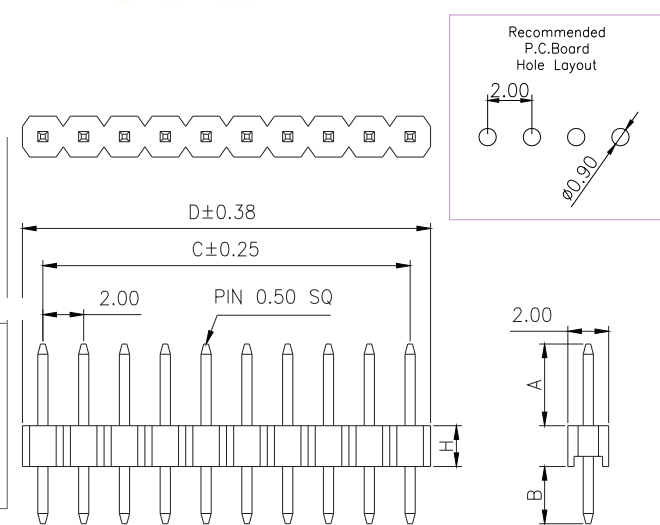
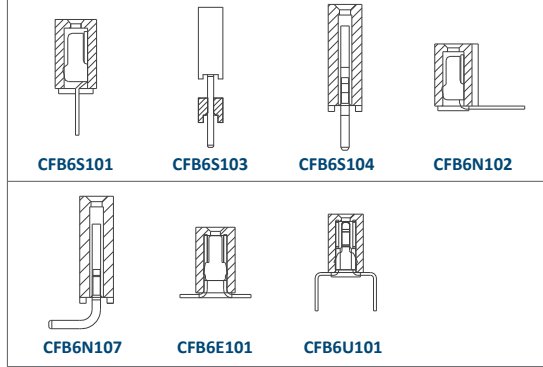
Current Rating : 2.0 Ampere  
 Insulation Resistance : 1000 MΩ Min  
 Dielectric Withstanding : 500V AC  
 Contact Resistance : 20 mΩ Max  
 Operating Temperature : -40°C to +105°C

## Materials

Contact Material : Brass  
 Insulation Material : High Temperature Thermoplastic, 94V-0 Nylon



## Mating with



No. of Pins/Row	Dimension Information			No. of Pins/Row	Dimension Information			No. of Pins/Row	Dimension Information		
	C	D			C	D			C	D	
02	2.00	4.00		11	20.00	22.00		21	40.00	42.00	
03	4.00	6.00		12	22.00	24.00		22	42.00	44.00	
04	6.00	8.00		13	24.00	26.00		23	44.00	46.00	
05	8.00	10.00		14	26.00	28.00		24	46.00	48.00	
06	10.00	12.00		15	28.00	30.00		25	48.00	50.00	
07	12.00	14.00		16	30.00	32.00		26	50.00	52.00	
08	14.00	16.00		17	32.00	34.00		27	52.00	54.00	
09	16.00	18.00		18	34.00	36.00		28	54.00	56.00	
10	18.00	20.00		19	36.00	38.00		29	56.00	58.00	
				20	38.00	40.00		30	58.00	60.00	
								31	60.00	62.00	
								32	62.00	64.00	
								33	64.00	66.00	
								34	66.00	68.00	
								35	68.00	70.00	
								36	70.00	72.00	
								37	72.00	74.00	
								38	74.00	76.00	
								39	76.00	78.00	
								40	78.00	80.00	

## Ordering Codes

**C MA6S1XX** - **XX** **XX** **X** **XXX** **X** **X** **B** **X**

Height Option (H)  
 01 : H=2.00  
 02 : H=1.50

No Of Pins Per Row  
 02 - 40

Material Code  
 B - NYLON

Colour Code  
 N - Black

Post  
 W - W/O Post

Packing Code  
 A - Box

Plating Code  
 03 - Tin  
 06 - Gold Flash  
 09 - Gold Flash/ Tin

Pin Length (C/D)  
**CMA6S101** 001 : A=4.00 / B=2.80  
**CMA6S102** 001 : A=4.00 / B=2.80

For special length requirement  
 Please contact our sales personnel

Due to technical progress, all designs, specifications and components are subject to change without notice.