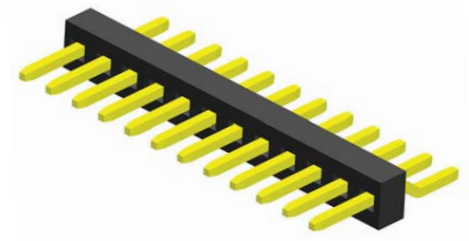


## Specifications

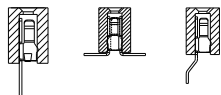
Current Rating : 1.0 Ampere  
 Insulation Resistance : 1000 MΩ Min  
 Dielectric Withstanding : 300V AC  
 Contact Resistance : 20 mΩ Max  
 Operating Temperature : -40°C to +105°C

## Materials

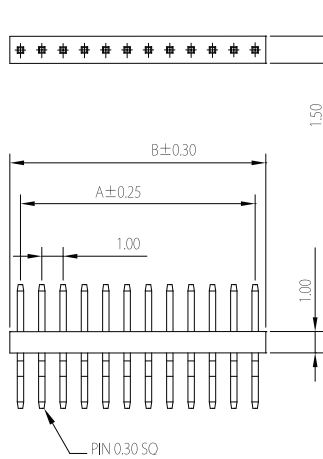
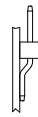
Contact Material : Phosphor Bronze  
 Insulation Material : High Temperature Thermoplastic, 94V-0 LCP



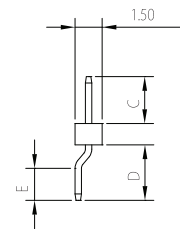
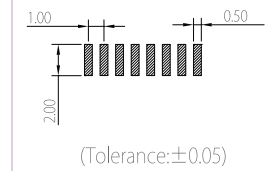
## Mating with



**CFB3S116 CFB3E118 CFB3T116**



Recommended P.C.Board Layout



No. of Pins/Row	Dimension Information			No. of Pins/Row	Dimension Information			No. of Pins/Row	Dimension Information			No. of Pins/Row	Dimension Information		
	A	B			A	B			A	B			A	B	
02	1.00	2.00		11	10.00	11.00		21	20.00	21.00		31	30.00	31.00	
03	2.00	3.00		12	11.00	12.00		22	21.00	22.00		32	31.00	32.00	
04	3.00	4.00		13	12.00	13.00		23	22.00	23.00		33	32.00	33.00	
05	4.00	5.00		14	13.00	14.00		24	23.00	24.00		34	33.00	34.00	
06	5.00	6.00		15	14.00	15.00		25	24.00	25.00		35	34.00	35.00	
07	6.00	7.00		16	15.00	16.00		26	25.00	26.00		36	35.00	36.00	
08	7.00	8.00		17	16.00	17.00		27	26.00	27.00		37	36.00	37.00	
09	8.00	9.00		18	17.00	18.00		28	27.00	28.00		38	37.00	38.00	
10	9.00	10.00		19	18.00	19.00		29	28.00	29.00		39	38.00	39.00	
				20	19.00	20.00		30	29.00	30.00		40	39.00	40.00	

## Ordering Codes

**C MA3T102 - XX**

**XX**

**X**

**XXX**

**X**

**X**

**A**

**X**

No Of Pins Per Row  
02 - 40

Plating Code  
03 - Tin  
06 - Gold Flash

Material Code  
C - LCP

Colour Code  
N - Black

Post  
W - W/O Post

Packing Code  
C - Tube

### Pin Length (C/D)

001 : C=2.20 / D=2.60 / E=1.50  
 007 : C=3.00 / D=2.60 / E=1.50

For special length requirement  
 Please contact our sales personnel

Due to technical progress, all designs, specifications and components are subject to change without notice.