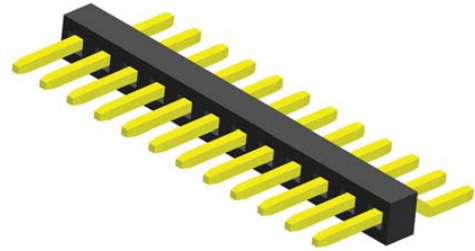


## Specifications

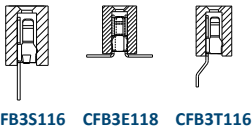
Current Rating :	1.0 Ampere
Insulation Resistance :	1000 MΩ Min
Dielectric Withstanding :	300V AC
Contact Resistance :	20 mΩ Max
Operating Temperature :	-40°C to +105°C

## Materials

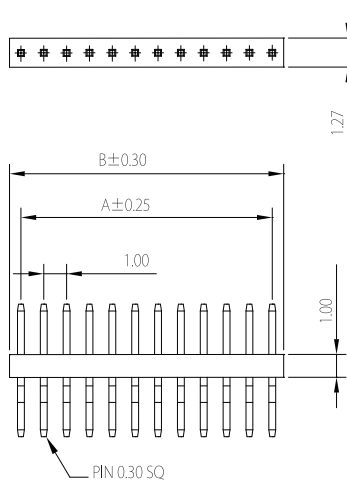
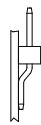
Contact Material :	Phosphor Bronze
Insulation Material :	High Temperature Thermoplastic, 94V-0 LCP



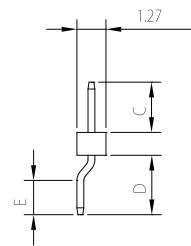
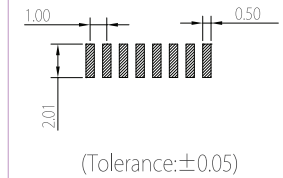
## Mating with



CFB3S116 CFB3E118 CFB3T116



Recommended P.C.Board Layout



No. of Pins/Row	Dimension Information		No. of Pins/Row	Dimension Information		No. of Pins/Row	Dimension Information		No. of Pins/Row	Dimension Information	
	A	B		A	B		A	B		A	B
02	1.00	2.00	11	10.00	11.00	21	20.00	21.00	31	30.00	31.00
03	2.00	3.00	12	11.00	12.00	22	21.00	22.00	32	31.00	32.00
04	3.00	4.00	13	12.00	13.00	23	22.00	23.00	33	32.00	33.00
05	4.00	5.00	14	13.00	14.00	24	23.00	24.00	34	33.00	34.00
06	5.00	6.00	15	14.00	15.00	25	24.00	25.00	35	34.00	35.00
07	6.00	7.00	16	15.00	16.00	26	25.00	26.00	36	35.00	36.00
08	7.00	8.00	17	16.00	17.00	27	26.00	27.00	37	36.00	37.00
09	8.00	9.00	18	17.00	18.00	28	27.00	28.00	38	37.00	38.00
10	9.00	10.00	19	18.00	19.00	29	28.00	29.00	39	38.00	39.00
			20	19.00	20.00	30	29.00	30.00	40	39.00	40.00

## Ordering Codes

**C MA3T101 - XX**

**XX**

**X**

**XXX**

**X**

**X**

**A**

**X**

No Of Pins Per Row  
02 - 40

Plating Code  
03 - Tin  
06 - Gold Flash

Material Code  
C - LCP

Pin Length (C/D)

002	: C=2.20 / D=2.60 / E=1.50
007	: C=4.00 / D=2.60 / E=1.50

For special length requirement  
Please contact our sales personnel

Colour Code  
N - Black

Post  
W - W/O Post

Packing Code  
C - Tube

Due to technical progress, all designs, specifications and components are subject to change without notice.