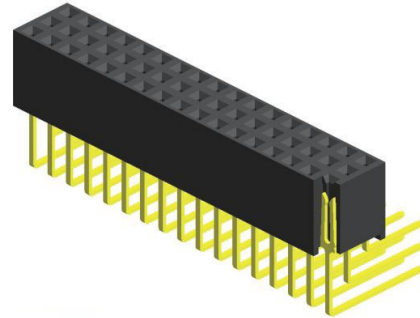


Specifications

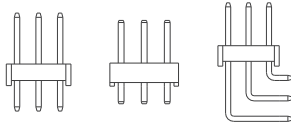
Current Rating :	3.0 Ampere
Insulation Resistance :	1000 MΩ Min
Dielectric Withstanding :	600V AC
Contact Resistance :	20 mΩ Max
Operating Temperature :	-40°C to +105°C

Materials

Contact Material :	Phosphor Bronze
Insulation Material :	High Temperature Thermoplastic, 94V-0 Nylon

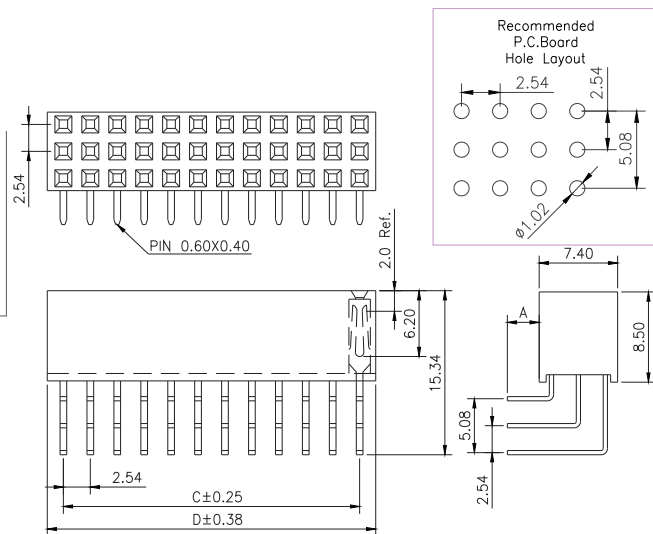
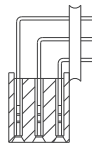


Mating with



CMA8S301 CMA8S304 CMA8N301

P.S. : Suggested mating pin length : 4.0 ~ 6.0 mm



No. of Pins/Row	Dimension Information			No. of Pins/Row	Dimension Information			No. of Pins/Row	Dimension Information			No. of Pins/Row	Dimension Information		
	C	D			C	D			C	D			C	V	
02	2.54	5.08		11	25.40	27.94		21	50.80	53.34		31	76.20	78.74	
03	5.08	7.62		12	27.94	30.48		22	53.34	55.88		32	78.74	81.28	
04	7.62	10.16		13	30.48	33.02		23	55.88	58.42		33	81.28	83.82	
05	10.16	12.70		14	33.02	35.56		24	58.42	60.96		34	83.82	86.36	
06	12.70	15.24		15	35.56	38.10		25	60.96	63.50		35	86.36	88.90	
07	15.24	17.78		16	38.10	40.64		26	63.50	66.04		36	88.90	91.44	
08	17.78	20.32		17	40.64	43.18		27	66.04	68.58		37	91.44	93.98	
09	20.32	22.86		18	43.18	45.72		28	68.58	71.12		38	93.98	96.52	
10	22.86	25.40		19	45.72	48.26		29	71.12	73.66		39	96.52	99.06	
				20	48.26	50.80		30	73.66	76.20		40	99.06	101.60	

Ordering Codes

C FB8N301 - **XX** **XX** **X** **XXX** **X** **X** **A** **X**

No Of Pins Per Row
02 - 40
Plating Code
03 - Tin
06 - Gold Flash
09 - Gold Flash/ Tin
Material Code
B - NYLON
Pin Length (C/D)
001 : A=3.00
Colour Code
N - Black
Post
W - W/O Post
Packing Code
C - Tube

For special length requirement
Please contact our sales personnel

Due to technical progress, all designs, specifications and components are subject to change without notice.