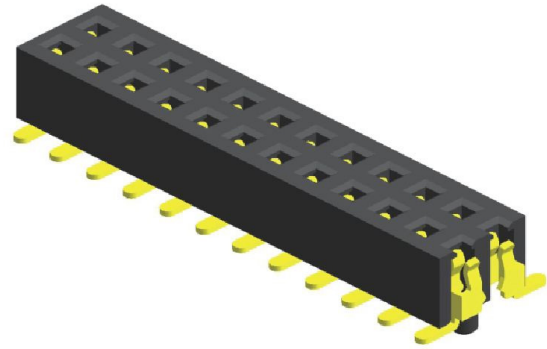


Specifications

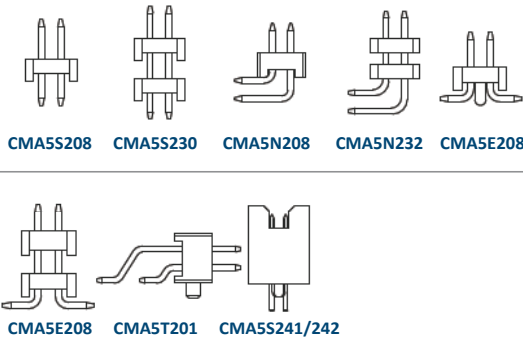
Current Rating :	1.0 Ampere
Insulation Resistance :	1000 MΩ Min
Dielectric Withstanding :	300V AC
Contact Resistance :	20 mΩ Max
Operating Temperature :	-40°C to +105°C

Materials

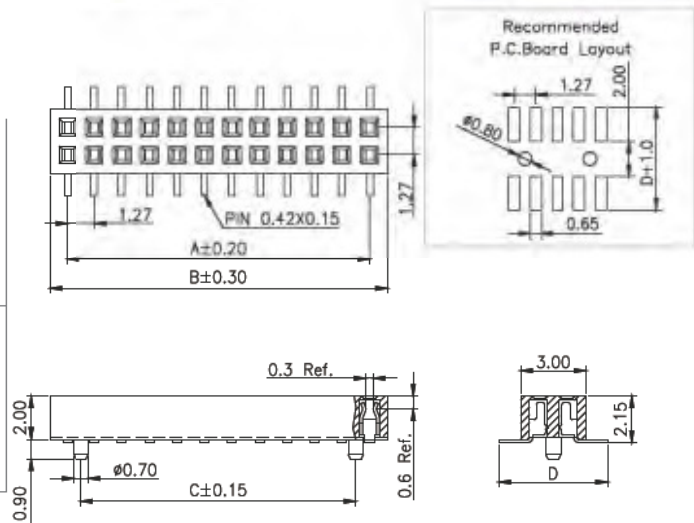
Contact Material :	Phosphor Bronze
Insulation Material :	High Temperature Thermoplastic, 94V-0 LCP



Mating with



P.S. : Suggested mating pin length : 1.5 ~ 1.8 mm



No. of Pins/Row	Dimension Information			No. of Pins/Row	Dimension Information			No. of Pins/Row	Dimension Information			No. of Pins/Row	Dimension Information		
	A	B	C		A	B	C		A	B	C		A	B	C
03	2.54	4.05	1.27	11	12.70	14.21	11.43	21	25.40	26.91	24.13	31	38.10	39.61	36.83
04	3.81	5.32	2.54	12	13.97	15.48	12.70	22	26.67	28.18	25.40	32	39.37	40.88	38.10
05	5.08	6.59	3.81	13	15.24	16.75	13.97	23	27.94	29.45	26.67	33	40.64	42.15	39.37
06	6.35	7.86	5.08	14	16.51	18.02	15.24	24	29.21	30.72	27.94	34	41.91	43.42	40.64
07	7.62	9.13	6.35	15	17.78	19.29	16.51	25	30.48	31.99	29.21	35	43.18	44.69	41.91
08	8.89	10.40	7.62	16	19.05	20.56	17.78	26	31.75	33.26	30.48	36	44.45	45.96	43.18
09	10.16	11.67	8.89	17	20.32	21.83	19.05	27	33.02	34.53	31.75	37	45.72	47.23	44.45
10	11.43	12.94	10.16	18	21.59	23.10	20.32	28	34.29	35.80	33.02	38	46.99	48.50	45.72
				19	22.86	24.37	21.59	29	35.56	37.07	34.29	39	48.26	49.77	46.99
				20	24.13	25.64	22.86	30	36.83	38.34	35.56	40	49.53	51.04	48.26

Ordering Codes

C FB5E203 - **XX** **XX** **X** **XXX** **X** **X** **A** **X**

No Of Pins Per Row
03 - 40

Plating Code
03 - Tin
06 - Gold Flash
09 - Gold Flash/ Tin

Material Code
C - LCP

Pin Length (C/D)
001 : D=5.00
003 : D=4.50

Colour Code
N - Black

Post
W - W/O Post

Packing Code
C - Tube

For special length requirement
Please contact our sales personnel

Due to technical progress, all designs, specifications and components are subject to change without notice.