

HSTX SERIES

Part of Hitaltech's Conex-it range, the HSTX screwless terminal block is available from 2 - 24 poles on both 3.5 & 5.00mm pitch across vertical and horizontal orientations.

The Hitaltech range of spring clamp terminal blocks and connectors suit applications where traditional terminal blocks have been used.

In these applications the tightness of the screw clamping on to the wire has been dependant on the installer, however Hitaltech's screwless range remove this need, and the result is therefore a uniform connection across each terminal suited to applications where vibration occurs.

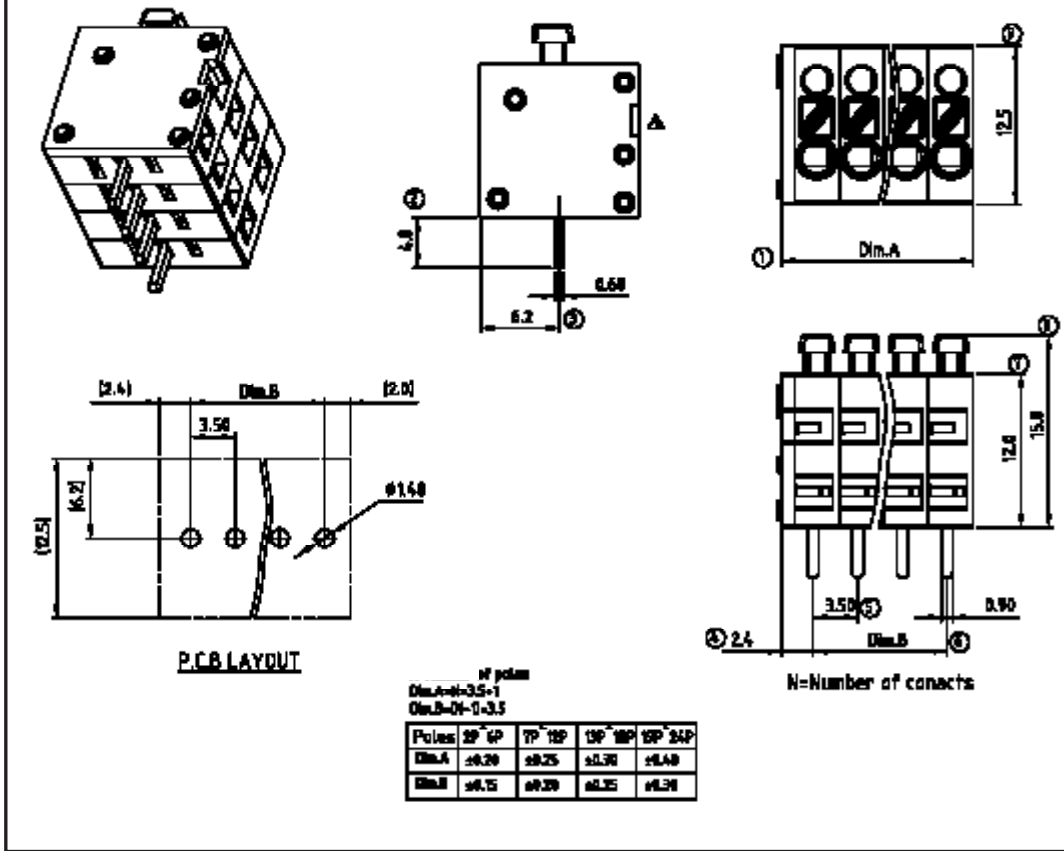
Another obvious benefit is the significant reduction in installation time as well as the possibility to use terminal blocks and connectors on a smaller pitch where space is at a premium.

The HSTX series uses a push button mechanism. Where push button mechanisms are used, the pressing action onto the button opens the clamp and the release of pressure will then close it allowing the clamp to grip onto the wire conductor.

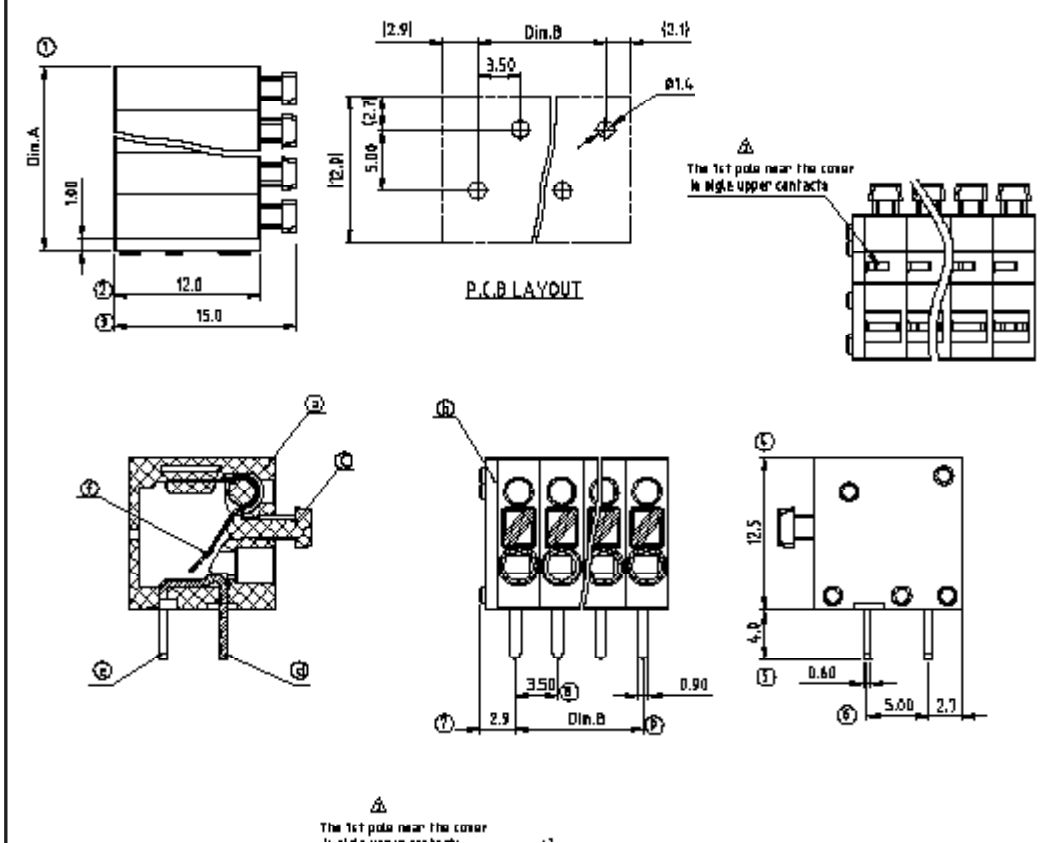
TECHNICAL INFORMATION

HSTX Series		
Pitch Available (mm)	3.5	5.00
Poles Available	2 - 24	2 - 24
Voltage Rating	300V	300V
Current Rating	10A	8A
Withstanding voltage	1.6KV	1.6KV
Operating Temperature	-40°C to +115°C	-40°C to +115°C
Soldering Temperature	250°C ± 10°C / 5Sec	250°C ± 10°C / 5Sec
Wire Strip Length	7~8mm	9~10mm
Solid Wire (AWG)	16 - 26	16 - 26
Stranded Wire (AWG)	16 - 26	16 - 26
UL File No.	E314038	

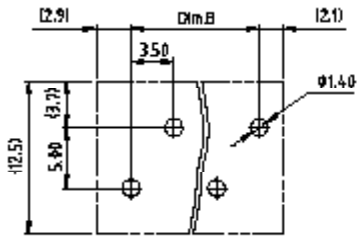
HSTX 3.5mm pitch Vertical



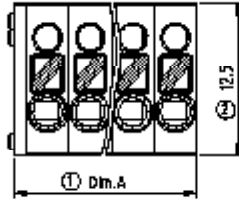
HSTX 3.5mm Horizontal



HSTX 3.5mm, vertical, interlace contact



P.C.B. LAYOUT

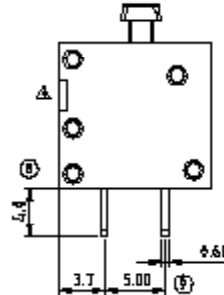
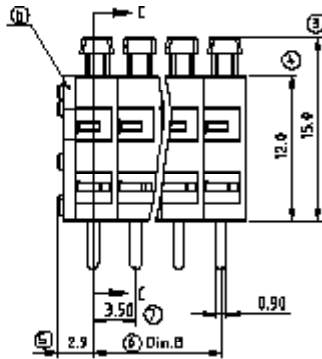
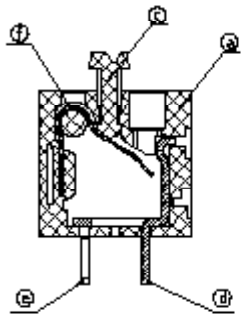


The 1st pole near the cover is single right contact

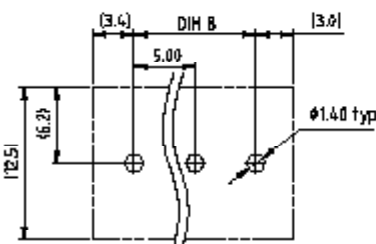


N=Number of poles
 Dim.A=Nx3.5+1
 Dim.B=7+1x3.5

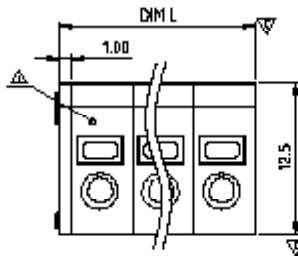
Poles	2P	3P	4P	5P	6P	7P	8P
Dim.A	±0.20	±0.25	±0.30	±0.30	±0.40	±0.40	±0.40
Dim.B	±0.15	±0.20	±0.25	±0.25	±0.30	±0.30	±0.30



HSTX 5.00mm pitch, vertical



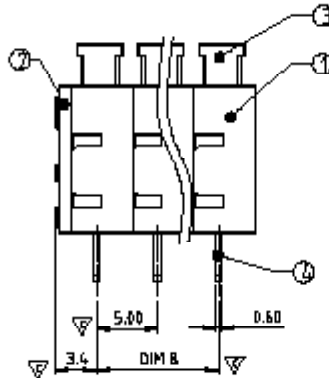
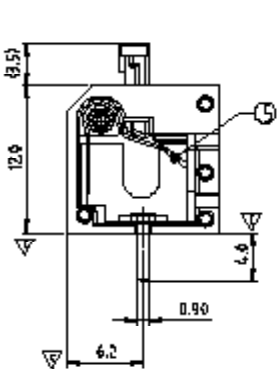
P.C.B. LAYOUT



N=NUMBER OF POLES

Dim L	04-1x5.0+6.0
Dim B	04-1x5.0

	TOL			
	1-4P	5-7P	8-11P	12-24P
Dim L	±0.15	±0.20	±0.30	±0.40
Dim B	±0.15	±0.20	±0.30	±0.50

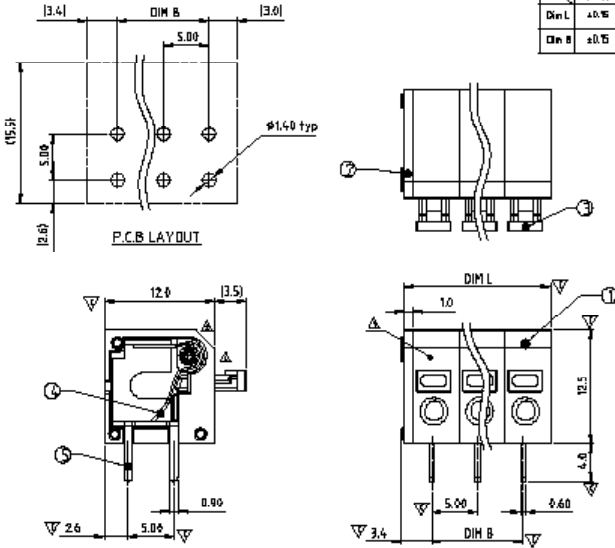


HSTX 5.00mm pitch, horizontal

N-NUMBER OF POLES

Dim L	01-11-5.0-6.5
Dim B	01-11-5.0

	TOL				
	1-4P	5-8P	10-14P	16-18P	20-24P
Dim L	±0.15	±0.20	±0.30	±0.40	±0.50
Dim B	±0.15	±0.20	±0.30	±0.40	±0.50



ORDERING CODES

HSTX	XX Poles	X Pitch	X Body Type	X Colour	0	—	X X X HG
	02 2 Contacts 03 3 Contacts 24 24 Contacts	2 3.5	0 Vertical (interlace contact, 3.5mm pitch only) 1 Vertical (Single Contact) 2 Horizontal (interlace contact, 3.5mm pitch only) 3 Horizontal (Double Contact, 3.5mm pitch only)	0 Black 2 Red 5 Green 8 Grey 9 White C Multi			X Special Requests

HSTX	XX Poles	X Pitch	X Body Type	X Colour	0	—	X X X HG
	02 2 Contacts 03 3 Contacts 24 24 Contacts	0 5.00	0 Vertical (90 deg wire inlet) 1 Horizontal (180 deg wire inlet)	0 Black 2 Red 5 Green 8 Grey 9 White C Multi			X Special Requests