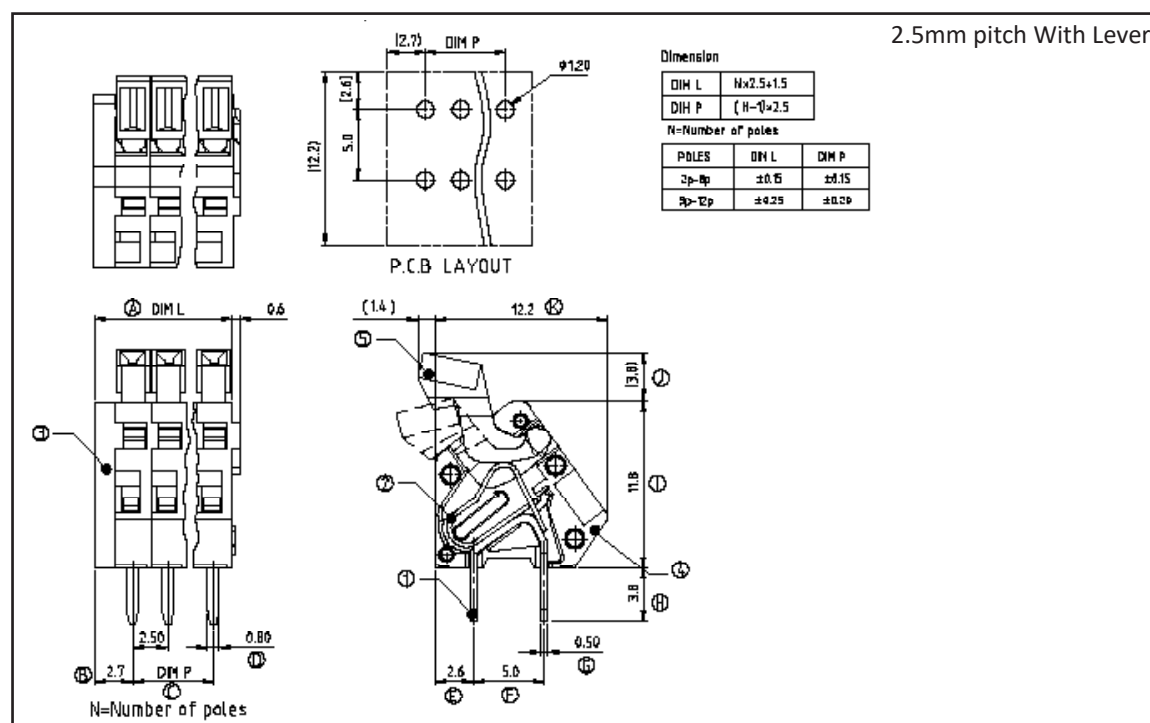


Without Lever

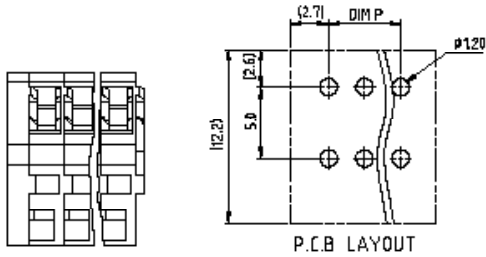
### TECHNICAL INFORMATION

HSTE Series	With/Without Lever	With Lever Only
Pitch Available (mm)	2.5 / 2.54	5.00 / 5.08
Poles Available	2 - 12	2 - 8
Voltage Rating	150V	150V
Current Rating	4A	4A
Withstanding voltage	1.3KV	1.3KV
Operating Temperature	-40°C to +115°C	-40°C to +115°C
Soldering Temperature	250°C ± 10°C / 5Sec	250°C ± 10°C / 5Sec
Wire Strip Length	6~7mm	6~7mm
Solid Wire (AWG)	22 - 28	22 - 28
Stranded Wire (AWG)	22 - 28	22 - 28
UL File No.	E314038	

### DRAWINGS



HSTE 2.5mm pitch, No Lever

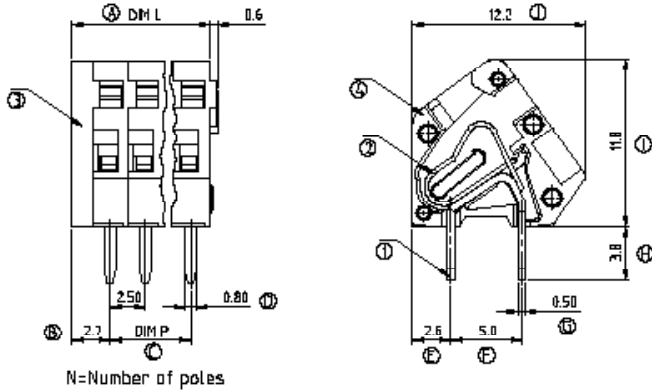


Dimension

DIM L	$N \times 2.5 + 1.5$
DIM P	$(N-1) \times 2.5$

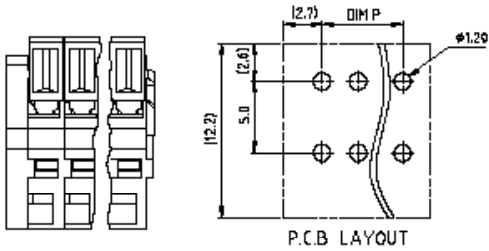
N=Number of poles

POLES	DIM A	DIM B
2p-4p	$\pm 0.15$	$\pm 0.15$
5p-12p	$\pm 0.25$	$\pm 0.20$



N=Number of poles

HSTE 2.54mm pitch, With Lever

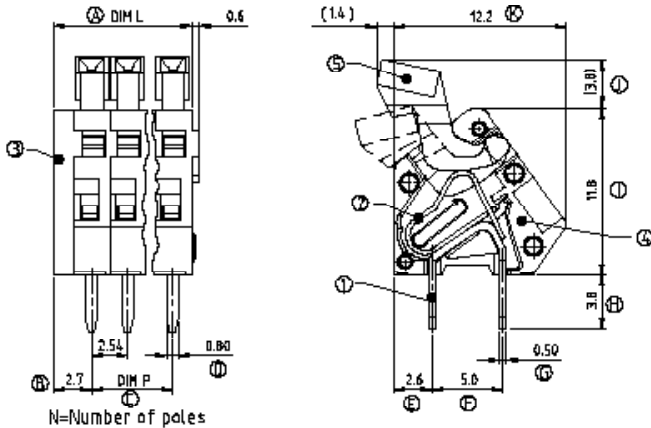


Dimension

DIM L	$N \times 2.54 + 1.5$
DIM P	$(N-1) \times 2.54$

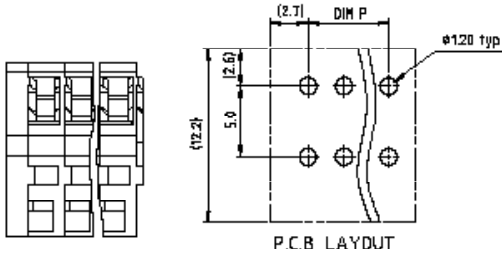
N=Number of poles

POLES	DIM L	DIM P
2p-8p	$\pm 0.15$	$\pm 0.15$
9p-12p	$\pm 0.25$	$\pm 0.20$



N=Number of poles

### HSTE 2.54mm pitch, No Lever



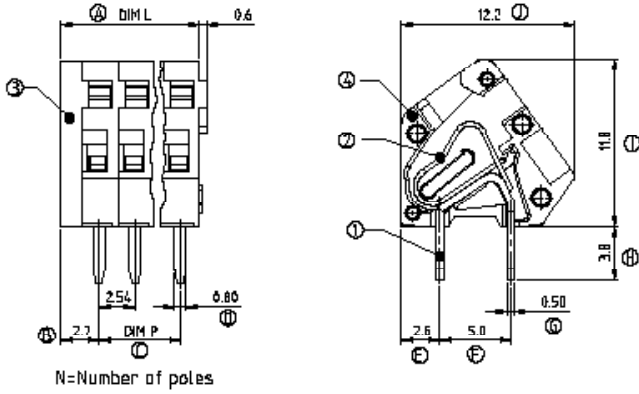
Dimension

DIM L	$N \times 2.54 + 1.5$
DIM P	$(N-1) \times 2.54$

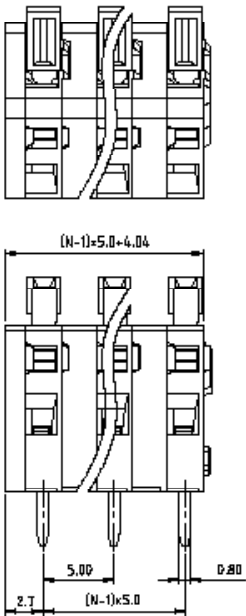
N=Number of poles

POLES	DIM L	DIM P
3p-8p	$\pm 0.15$	$\pm 0.15$
9p-12p	$\pm 0.25$	$\pm 0.20$

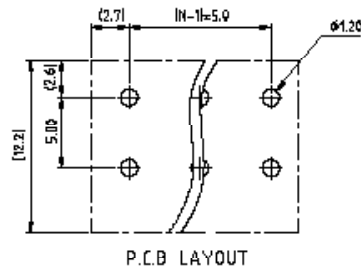
P.C.B LAYOUT



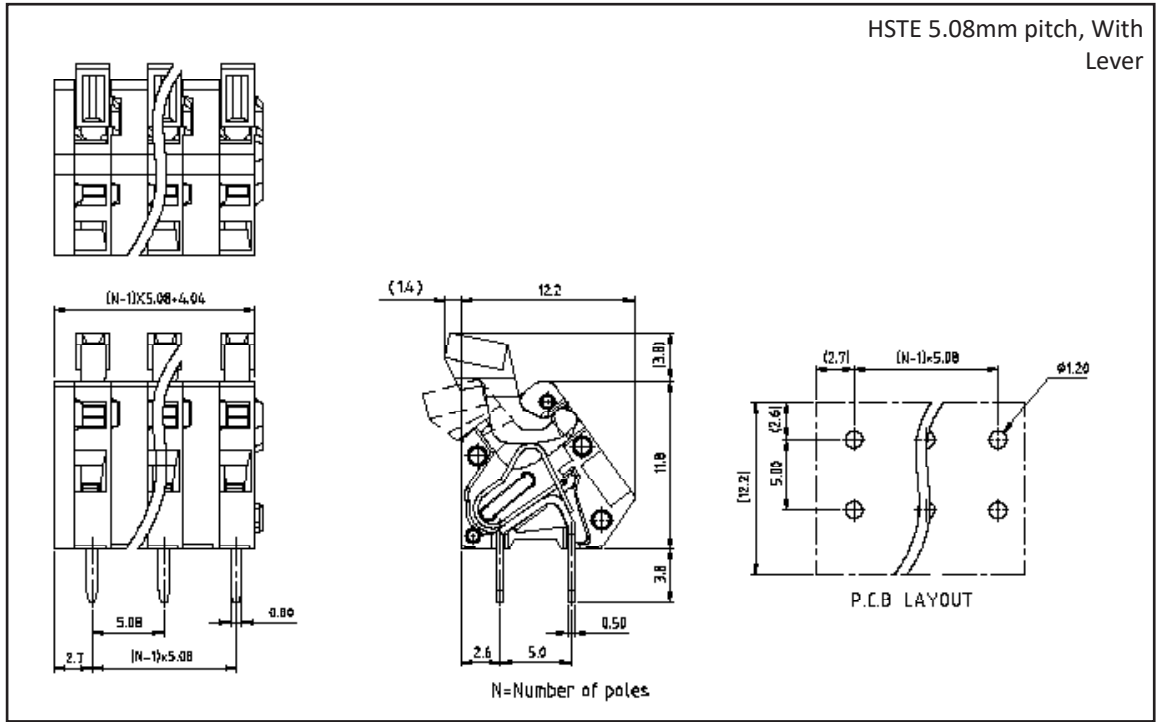
### HSTE 5.00mm pitch, With Lever



N=Number of poles



P.C.B LAYOUT



### ORDERING CODES

