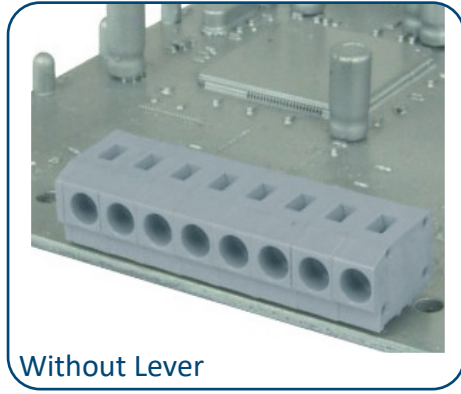


With Lever

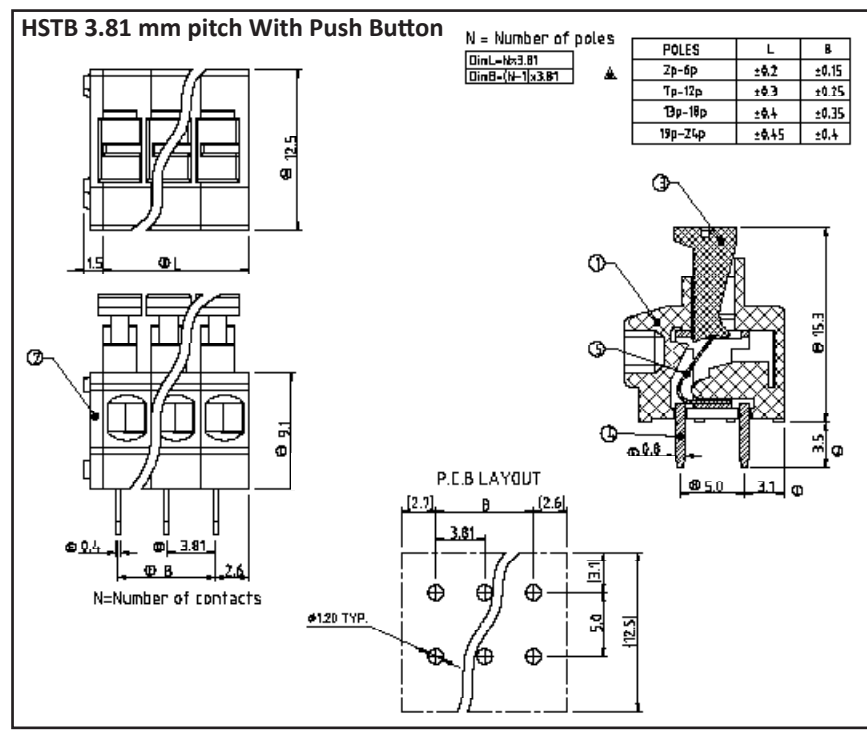


Without Lever

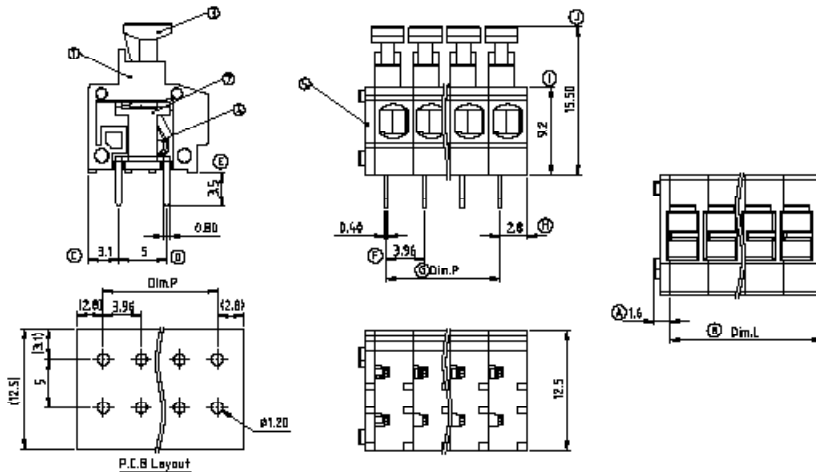
### TECHNICAL INFORMATION

<b>HSTB Series</b>					
Pitch Available (mm)	3.81	3.96	5.00	7.5	10.00
Poles Available	2 - 24	2 - 24	2 - 24	2 - 16	2 - 12
Voltage Rating	300V				
Current Rating	10A				
Withstanding voltage	1.6KV				
Operating Temperature	-40°C to +115°C				
Soldering Temperature	250°C ± 10°C / 5Sec				
Wire Strip Length	9~10mm				
Solid Wire (AWG)	16 - 20	16 - 20	14 - 20	14 - 20	14 - 20
Stranded Wire (AWG)	16 - 20	16 - 20	14 - 20	14 - 20	14 - 20
UL File No.	E314038				

### DRAWINGS

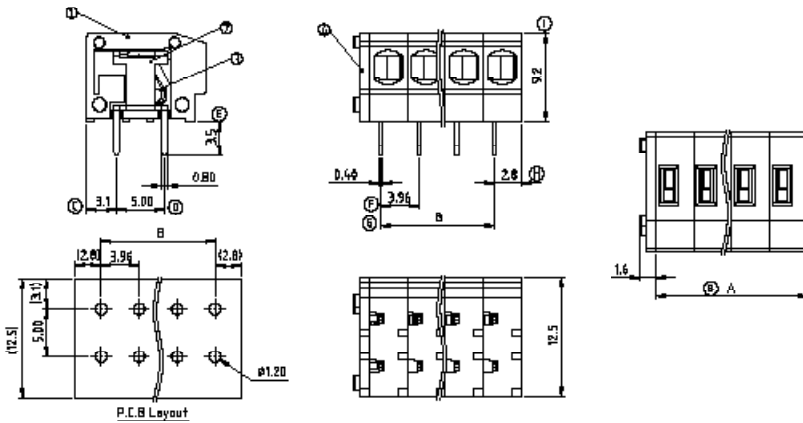


### HSTB 3.96mm pitch With Push Button



POLE	2	3	4	5	6	7	8	9	10	11	12	
Dim.L	7.92	11.00	15.84	19.80	23.76	27.72	31.68	35.64	39.60	43.56	47.52	
Dim.P	3.96	7.92	11.00	15.84	19.80	23.76	27.72	31.68	35.64	39.60	43.56	
Tol.	±0.15						±0.25					
POLE	13	14	15	16	17	18	19	20	21	22	23	24
Dim.L	51.40	55.44	59.40	63.36	67.32	71.28	75.24	79.20	83.16	87.12	91.08	95.04
Dim.P	47.52	51.48	55.44	59.40	63.36	67.32	71.28	75.24	79.20	83.16	87.12	91.08
Tol.	±0.30						±0.40					

### HSTB 3.96mm pitch Without Button



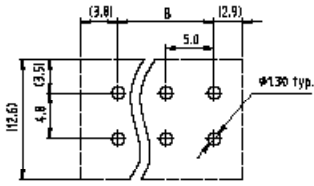
POLE	2	3	4	5	6	7	8	9	10	11	12	
A	7.92	11.00	15.84	19.80	23.76	27.72	31.68	35.64	39.60	43.56	47.52	
B	3.96	7.92	11.00	15.84	19.80	23.76	27.72	31.68	35.64	39.60	43.56	
Tol.	±0.15						±0.25					
POLE	13	14	15	16	17	18	19	20	21	22	23	24
A	51.40	55.44	59.40	63.36	67.32	71.28	75.24	79.20	83.16	87.12	91.08	95.04
B	47.52	51.48	55.44	59.40	63.36	67.32	71.28	75.24	79.20	83.16	87.12	91.08
Tol.	±0.30						±0.40					

### HSTB 5.00mm pitch With Push Button (Single Wire)

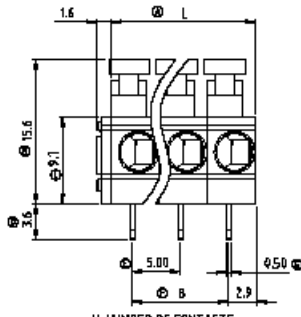
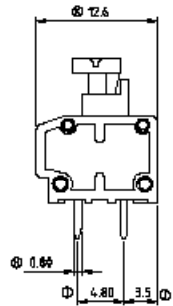
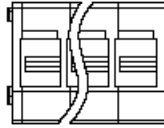
N = Number of poles

DIN L = #1-5	▲
DIN B = #1-0-5	

POLES	L	B
2p-6p	±0.2	±0.15
7p-12p	±0.3	±0.25
13p-18p	±0.4	±0.35
19p-24p	±0.45	±0.4

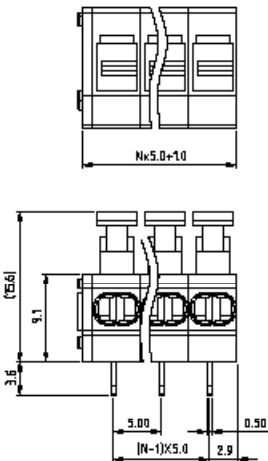


P.C.B. LAYOUT

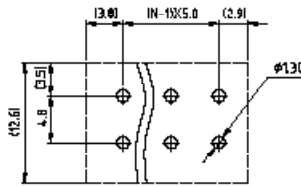
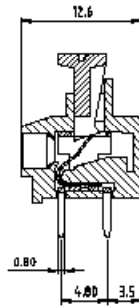


N=NUMBER OF CONTACTS

### HSTB 5.00mm pitch With Push Button (Double Wire)



N=NUMBER OF CONTACTS



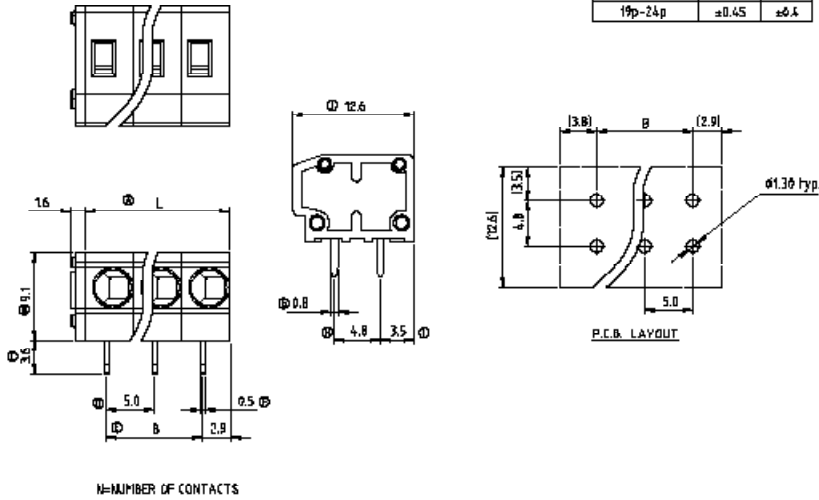
P.C.B. LAYOUT

### HSTB 5.00mm pitch Without Button

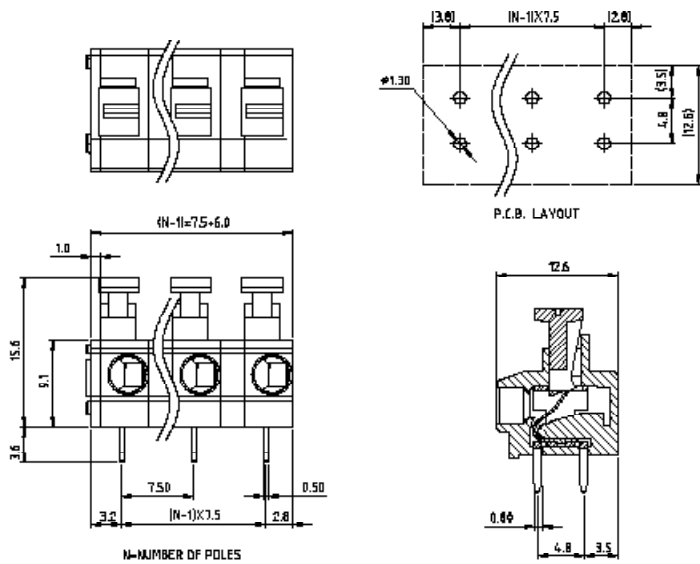
N = Number of poles

Dim L = N x 5  
Dim B = (N - 1) x 5

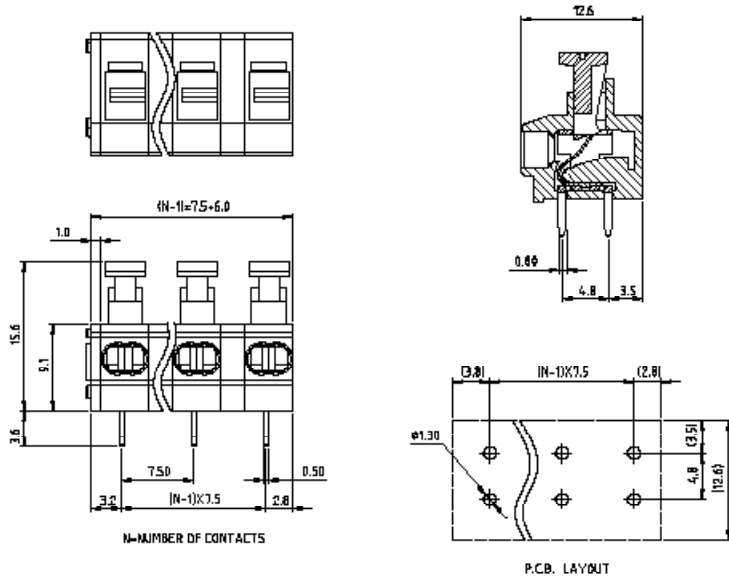
POLES	L	B
2p-6p	±0.2	±0.75
7p-12p	±0.3	±0.25
13p-18p	±0.4	±0.35
19p-24p	±0.45	±0.4



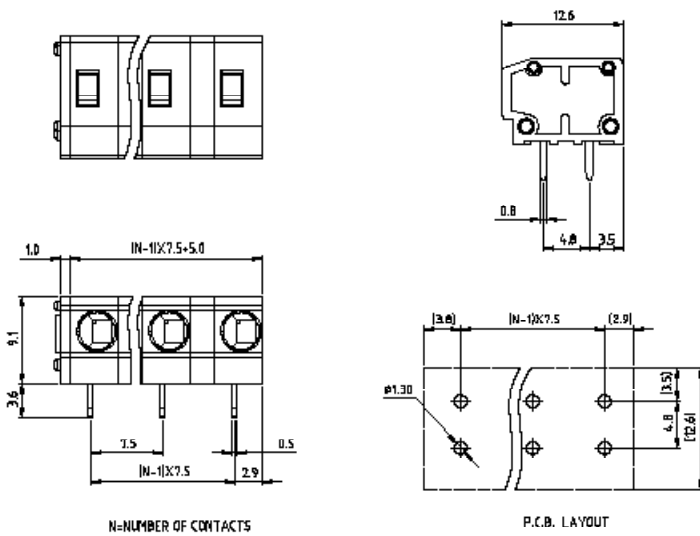
### HSTB 7.5mm pitch With Button (Single Wire)



### HSTB 7.5mm pitch With Button (Double Row)



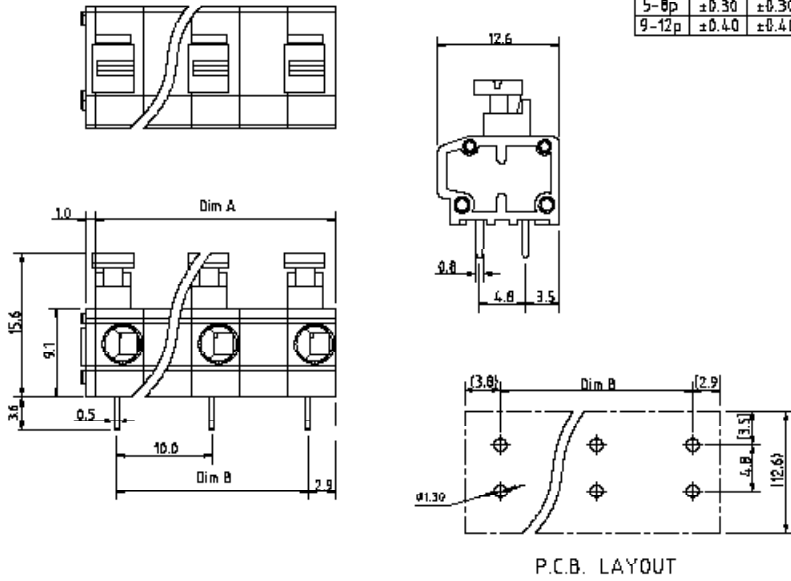
### HSTB 7.5mm pitch Without Button



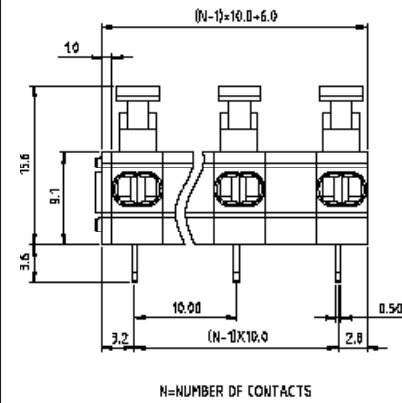
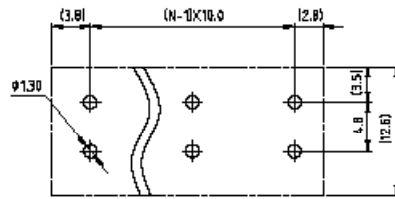
### HSTB 10.00mm pitch With Button (Single Wire)

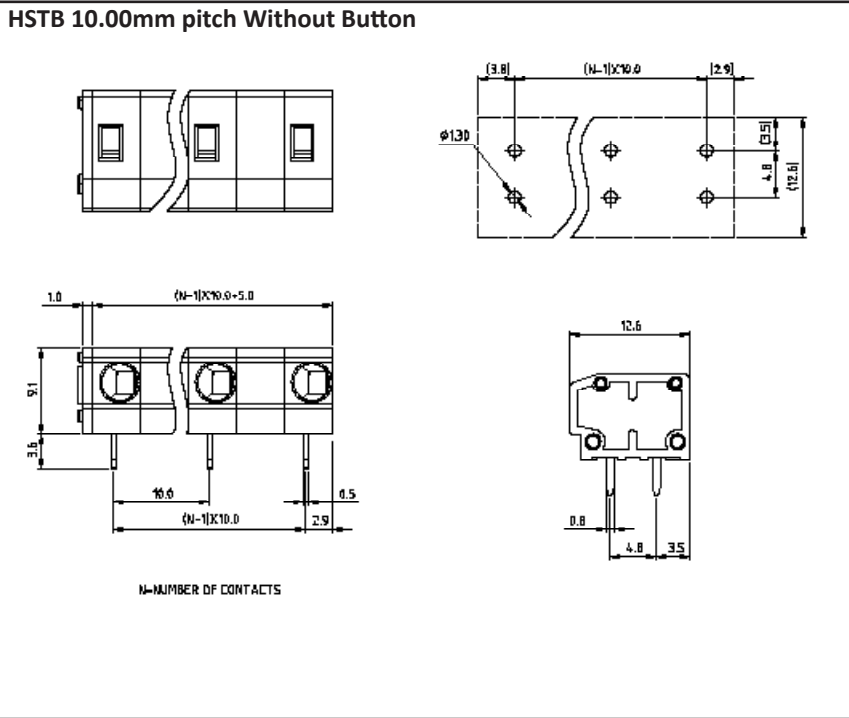
Dim A = (N-1) × 10.0 + 5.0  
Dim B = (N-1) × 10.0

	Dim A	Dim B
2-4p	±0.20	±0.20
5-8p	±0.30	±0.30
9-12p	±0.40	±0.40



### HSTB 10.00mm pitch With Button (Double Wire)





### ORDERING CODES

