



**Dimensional class:**  
high



**Standard colour:**  
green



**Heights:**  
58.5 mm, 45.0 mm, 31.5 mm, 18.6 mm  
(2.30 in, 1.77 in, 1.24 in, .73 in)



**Max approved wire sections**  
Solid: 4 mm<sup>2</sup> (IMQ); 11 AWG (CSA)  
Stranded: 2.5 mm<sup>2</sup> (IMQ); 11 AWG (CSA)  
**Clamp Opening Size:**  
2.6 x 3.5 mm (.102 x .138 in)



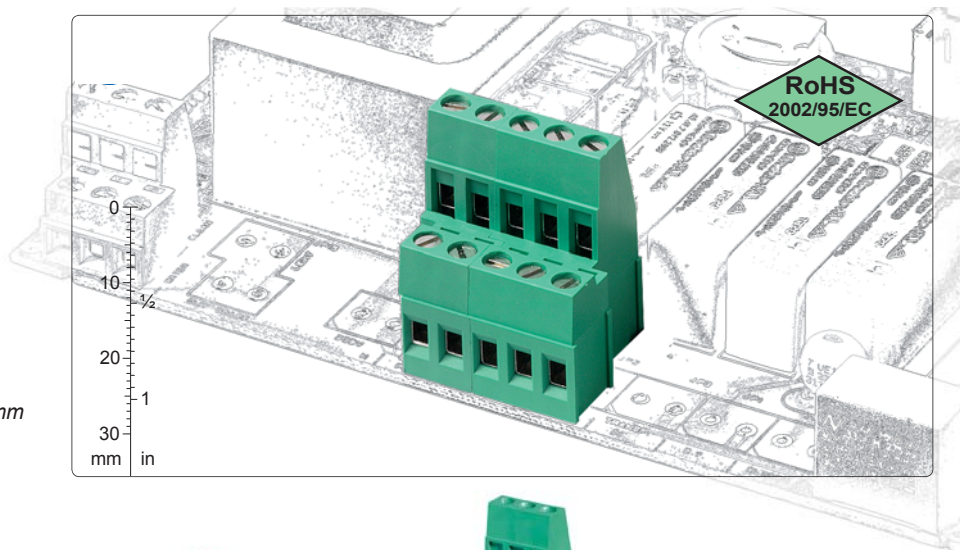
**Versions:**  
modular  
**Single mould poles:**  
from 2 to 3 (modular)



**Pitches:**  
metric 5 mm, 10 mm  
(.197 in, .394 in)



imperial 5.08 mm, 10.16 mm  
(.200 in, .400 in)



pitch 5/5.08 mm  
from 2 to 3 poles  
1st and 2nd level, modular



pitch 5/5.08 mm  
from 2 to 3 poles  
2nd and 3rd level, modular



pitch 5/5.08 mm  
from 2 to 3 poles  
middle tower, modular



pitch 5/5.08 mm  
from 2 to 3 poles  
high tower, modular



pitch 5/5.08 mm  
from 2 to 3 poles  
three levels, modular



pitch 5.08 mm  
from 2 to 12 poles  
four levels, modular



available accessories:  
from 2 to 9 poles  
BSC for rising clamp

### Brief description

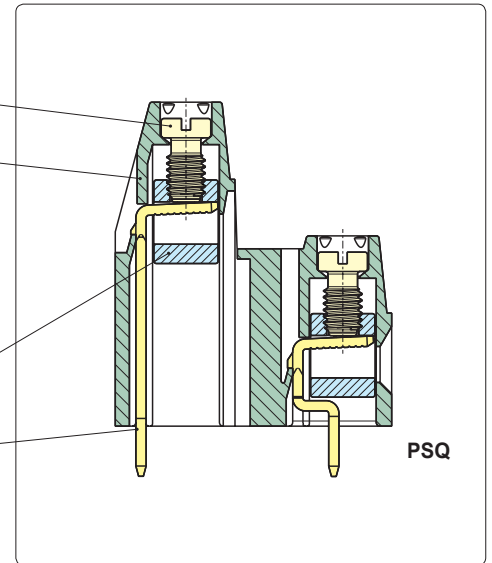
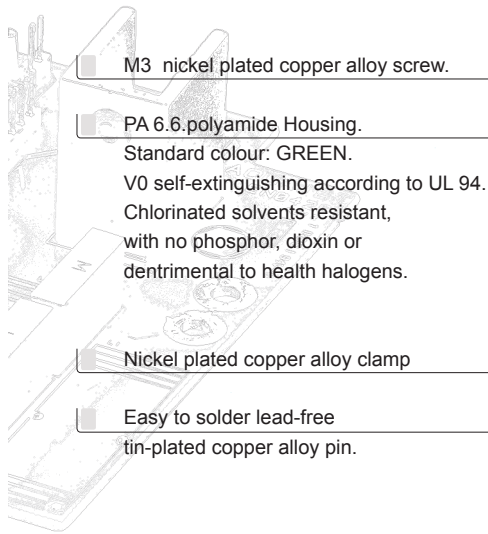
The PSQ multi-level terminal block series called "PLURIMA" represents the most advanced solution as far as compactness of the wire and connections to the PCBs is concerned.

The arrangement of the poles on 2 or 3 staggered levels **guarantees maximum accessibility and good visibility of the connection points.**

The PSQ series is available in 5 mm (.197 in) and 10 mm (.394 in) metric pitches and 5.08 mm (.200 in) and 10.16 mm (.400 in) Imperial pitches, in modular housings from 2 to 3 poles, with insertion of the wire parallel to the PCB.

The 2 and 3 level blocks can be combined one with another, both with the Medium and High Tower and also with the MSQ series in countless and different geometric configurations. By taking advantage of this particular characteristic a minimum stock of basic terminal blocks can be kept.

It is simple to manage the product, the warehouse and the assembly with the Kit packages because several versions can be received with only one code, the part-numbers are significantly reduced and the risk of making mistakes is also reduced.



PSQ

### Mechanical characteristics

Recommended/highest tightening torque	0.5/0.6 Nm (4.42/5.31 lbf in)
PCB thickness:	max. 2.4 mm (.094 in)
PCB hole diameter:	min. 1.4 mm (.055 in)
Stripping length	6.5 ÷ 7 mm (.26 ÷ .28 in)
Operating temperature range	-40 °C ÷ +110 °C (-40 °F ÷ +230 °F)
Climatic category	40/110/21 According to EN 60068-1

### Electric characteristics\*

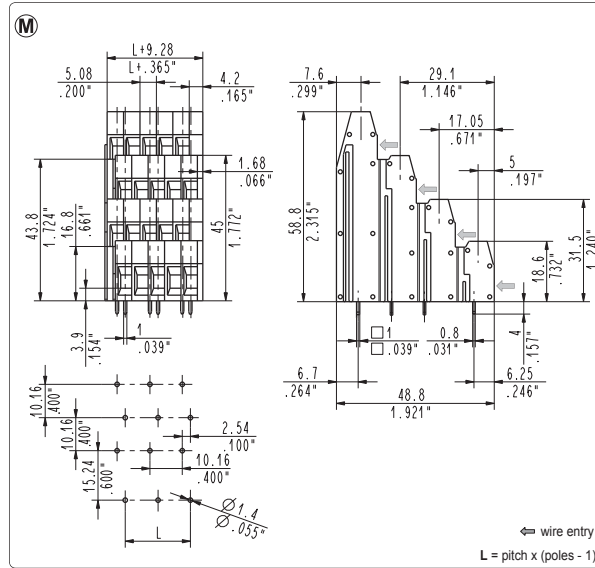
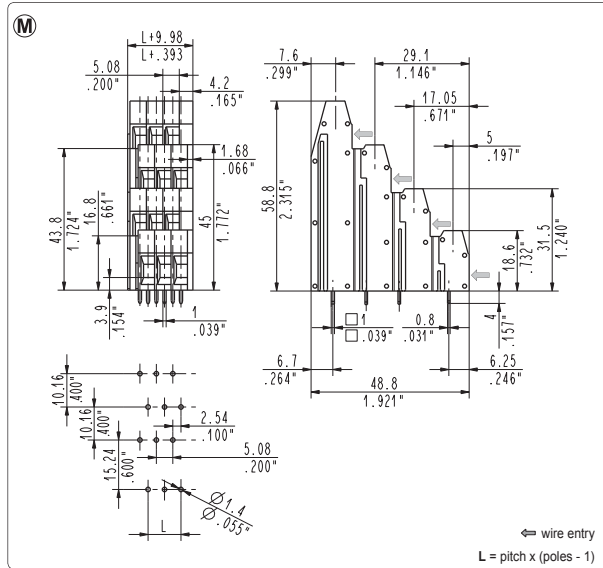
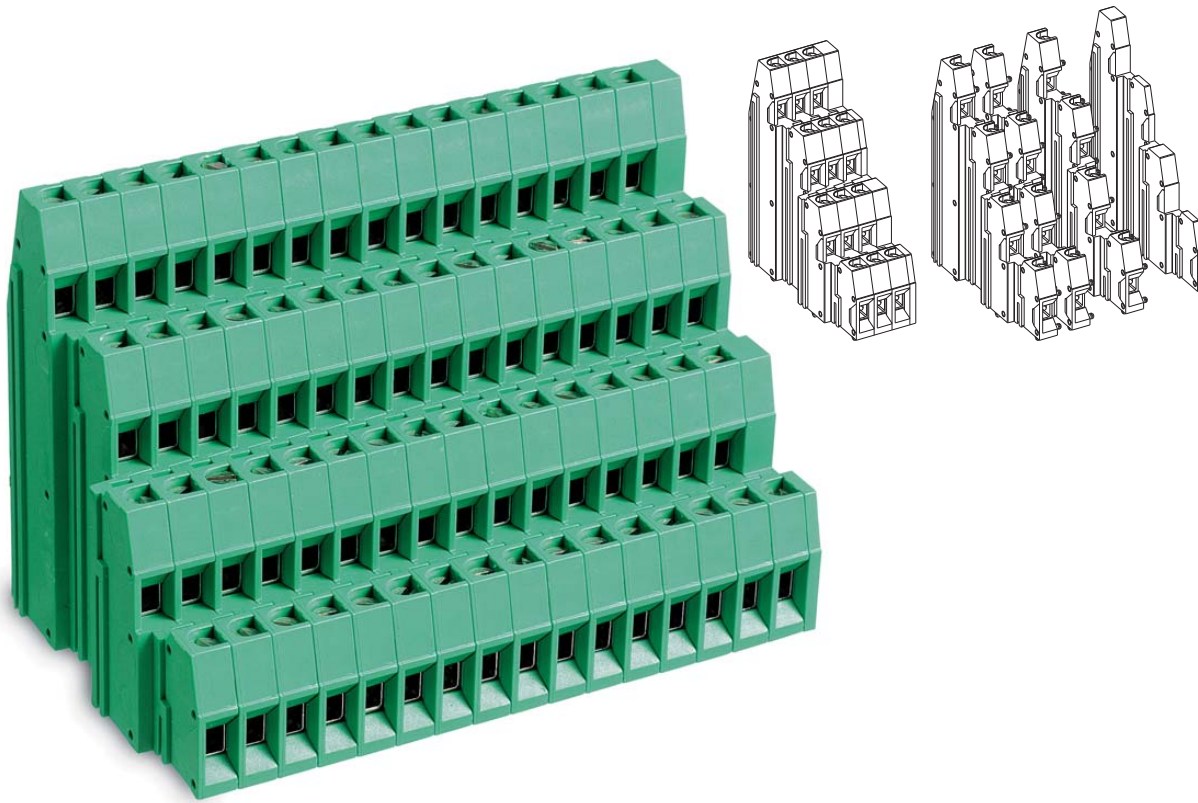
Solid wire section	30÷12 AWG (UL)* 0.05÷4 mm <sup>2</sup> (IMQ)*
Stranded wire section	30÷12 AWG (UL)* 0.05÷2.5 mm <sup>2</sup> (IMQ)*
Rated voltage for 5 mm (.197 in) and 5.08 mm (.200 in)	300 V (UL)*
Rated voltage for 10 mm (.394 in) and 10.16 mm (.400 in)	750 V (IMQ)*
Rated current	32 A (IMQ)*
Contact resistance	<15 mΩ
Insulation resistance	>10 <sup>9</sup> Ω (500V DC)

\*All the a.m. data refer to the highest values amongst the certificated ones.

V voltage, I current values and tightening torque are related to the norms to be applied to the product and to its use.

### Approvals

IEC-EN	IEC:	250 V - T 110 - 32 A - 4 mm <sup>2</sup> solid (24 A - 2.5 mm <sup>2</sup> stranded) for 5 mm and 5.08 mm pitch
	EN 60998	750 V - T 110 - 32 A - 4 mm <sup>2</sup> solid (24 A - 2.5 mm <sup>2</sup> stranded) for 10 mm and 10.16 mm pitch
UL	UL:	300 V - 24 A (factory wiring), 20 A (field wiring) - 30÷12 AWG - 7 lbf-in for 5 mm, 5.08 mm pitch
	File E167473	600 V - 24 A (factory wiring), 20 A (field wiring) - 30÷12 AWG - 7 lbf-in for 10 mm and 10.16 mm pitch Application values for end-use equipment have to be in accordance to UL norms and applicable to it.
VDE	VDE:	250 V - 24 A (20 A for "D" and "T" versions) - T 110 - 2.5 mm <sup>2</sup> for 5 mm and 5.08 mm pitch
	File n. 40022743	750 V - 24 A (20 A for "D" and "T" versions) - T 110 - 2.5 mm <sup>2</sup> for 10 mm and 10.16 mm pitch
IMQ	IMQ:	250 V - T 110 - 32 A - 4 mm <sup>2</sup> solid (24 A - 2.5 mm <sup>2</sup> stranded) for 5 mm and 5.08 mm pitch
	File: ED623	750 V - T 110 - 32 A - 4 mm <sup>2</sup> solid (24 A - 2.5 mm <sup>2</sup> stranded) for 10 mm and 10.16 mm pitch



**PSQ\_0Q5** 4 levels modular  
5.08 mm / .200" pitch

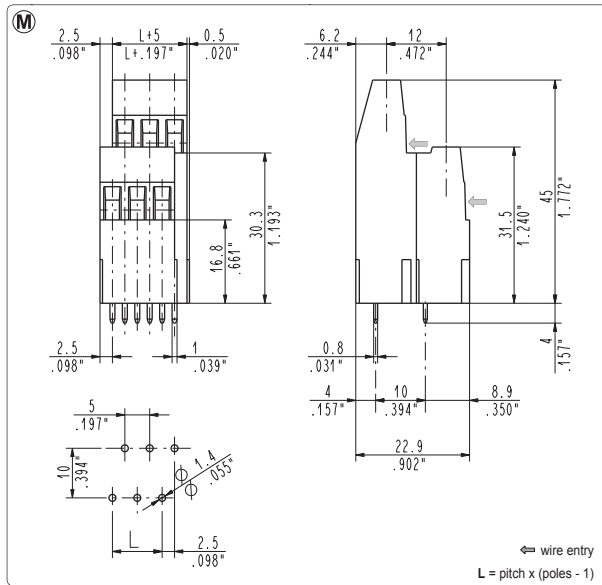
Poles	Code	Pcs/pack.	W [kg]*	Pcs/ind.**	W [kg]*
02	PSQ020Q5	70	1,54	200	4,40
03	PSQ030Q5	50	1,65	200	6,60
04	PSQ040Q5	40	1,76	100	4,40
05	PSQ050Q5	30	1,65	100	5,50
06	PSQ060Q5	30	1,98	100	6,60
07	PSQ070Q5	20	1,54	50	3,85
08	PSQ080Q5	20	1,76	50	4,40
09	PSQ090Q5	20	1,98	50	4,95
10	PSQ100Q5	20	2,20	50	5,50
11	PSQ110Q5	10	1,21	50	6,05
12	PSQ120Q5	10	1,32	50	6,60
13	PSQ130Q5	10	1,43	50	7,15
14	PSQ140Q5	10	1,54	50	7,70

**PSQ\_0Q6** 4 levels modular  
10.16 mm / .400" pitch

Poles	Code	Pcs/pack.	W [kg]*	Pcs/ind.**	W [kg]*
02	PSQ020Q6	50	1,25	200	5,00
03	PSQ030Q6	30	1,12	100	3,74
04	PSQ040Q6	20	1,00	50	2,50
05	PSQ050Q6	20	1,25	50	3,12
06	PSQ060Q6	10	0,75	50	3,74
07	PSQ070Q6	10	0,87	50	4,37
08	PSQ080Q6	10	1,00	50	5,00
09	PSQ090Q6	10	1,12	50	5,62
10	PSQ100Q6	10	1,25	50	6,24
11	PSQ110Q6	10	1,37	50	6,86
12	PSQ120Q6	5	0,75	25	3,74

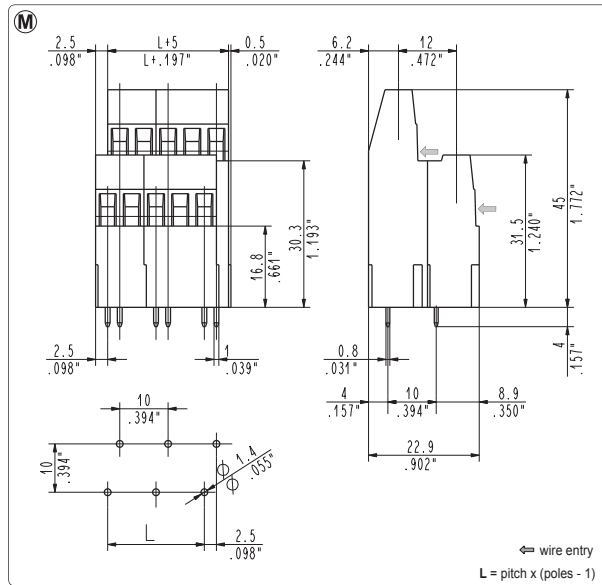






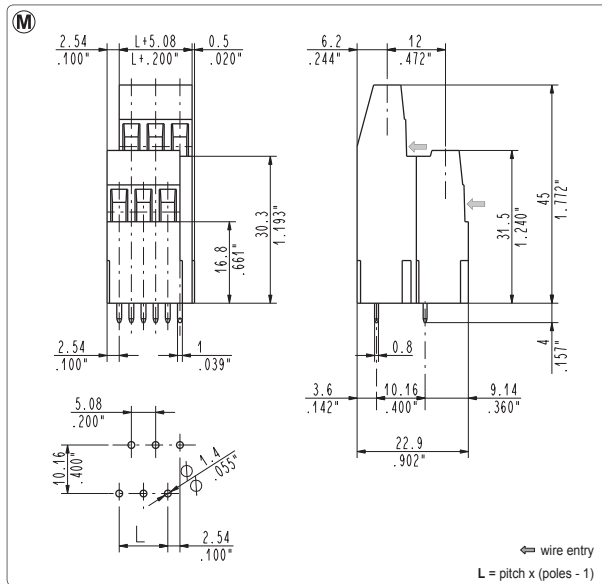
**PSQ\_0K1** 2nd & 3rd levels modular  
5 mm / .197" pitch

Poles	Code	Single Mould Terminal Blocks			
		Pcs/pack.	W [kg]*	Pcs/ind.**	W [kg]*
02	PSQ020K1	150	1,83	500	6,10
03	PSQ030K1	100	1,83	250	4,58



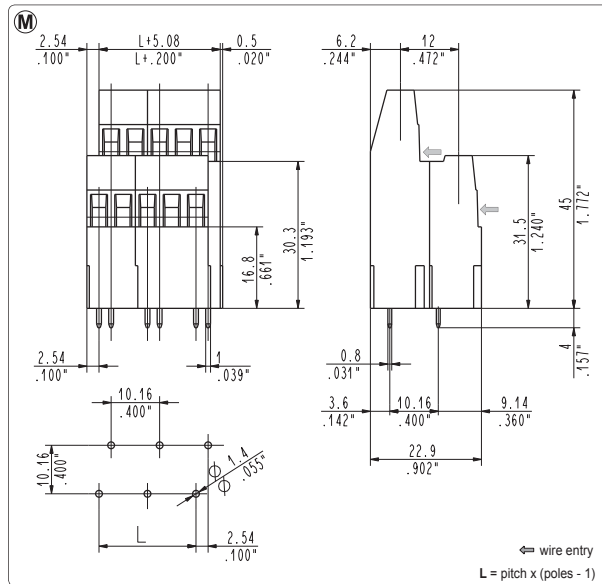
**PSQ\_0K2** 2nd & 3rd levels modular  
10 mm / .394" pitch

Poles	Code	Assembled Terminal Blocks			
		Pcs/pack.	W [kg]*	Pcs/ind.**	W [kg]*
01	PSQ010K2	150	1,09	500	3,65
02	PSQ020K2	100	1,96	250	4,91
03	PSQ030K2	60	1,77	150	4,41
04	PSQ040K2	45	1,77	150	5,89
05	PSQ050K2	35	1,72	100	4,91
06	PSQ060K2	30	1,77	100	5,89
07	PSQ070K2	20	1,37	50	3,43
08	PSQ080K2	20	1,57	50	3,92
09	PSQ090K2	20	1,77	50	4,41
10	PSQ100K2	15	1,47	50	4,91
11	PSQ110K2	15	1,62	50	5,40
12	PSQ120K2	15	1,77	50	5,89
13	PSQ130K2	10	1,28	25	3,19



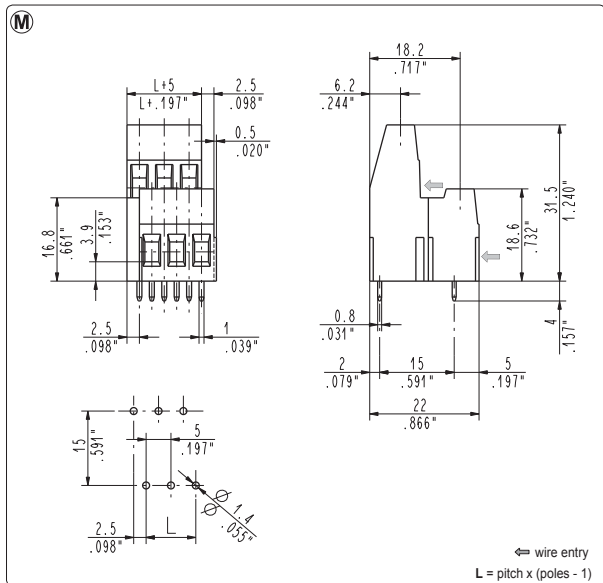
**PSQ\_0K5** 2nd & 3rd levels modular  
5.08 mm / .200" pitch

Poles	Code	Single Mould Terminal Blocks			
		Pcs/pack.	W [kg]*	Pcs/ind.**	W [kg]*
02	PSQ020K5	150	1,83	500	6,10
03	PSQ030K5	100	1,83	250	4,58



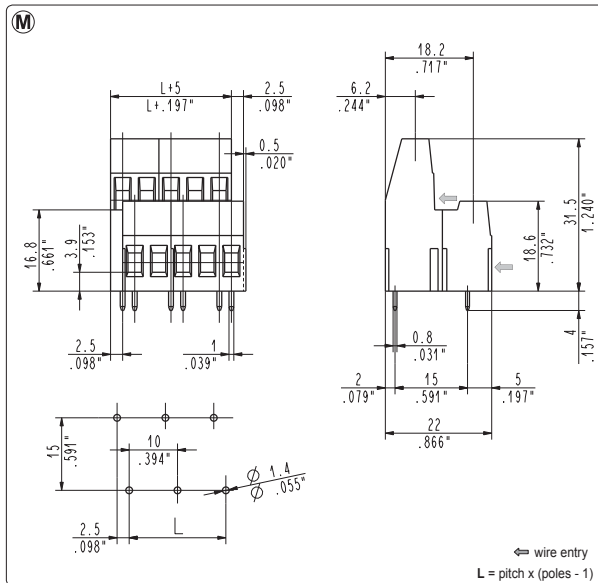
**PSQ\_0K6** 2nd & 3rd levels modular  
10.16 mm / .400" pitch

Poles	Code	Assembled Terminal Blocks			
		Pcs/pack.	W [kg]*	Pcs/ind.**	W [kg]*
01	PSQ010K6	150	1,09	500	3,65
02	PSQ020K6	100	1,96	250	4,91
03	PSQ030K6	60	1,77	150	4,41
04	PSQ040K6	45	1,77	150	5,89
05	PSQ050K6	35	1,72	100	4,91
06	PSQ060K6	30	1,77	100	5,89
07	PSQ070K6	20	1,37	50	3,43
08	PSQ080K6	20	1,57	50	3,92
09	PSQ090K6	20	1,77	50	4,41
10	PSQ100K6	15	1,47	50	4,91
11	PSQ110K6	15	1,62	50	5,40
12	PSQ120K6	15	1,77	50	5,89
13	PSQ130K6	10	1,28	25	3,19



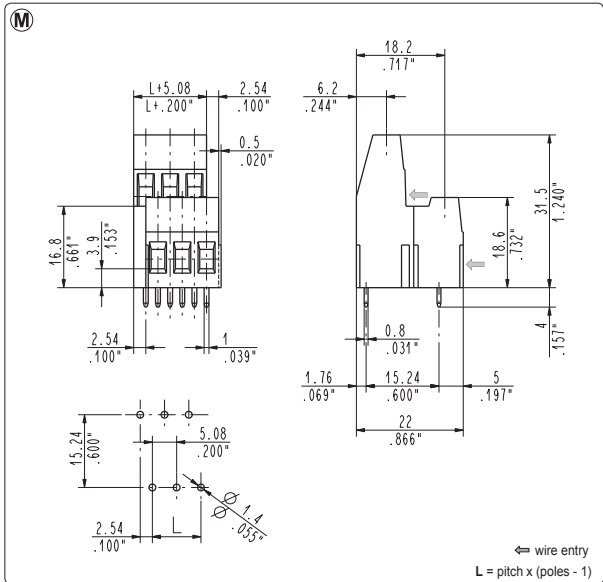
**PSQ\_0D1** 1st & 2nd levels modular  
5 mm / .197" pitch

Single Mould Terminal Blocks					
Poles	Code	Pcs/pack.	W [kg]*	Pcs/ind.**	W [kg]*
02	PSQ020D1	200	1,88	500	4,70
03	PSQ030D1	150	2,12	500	7,05



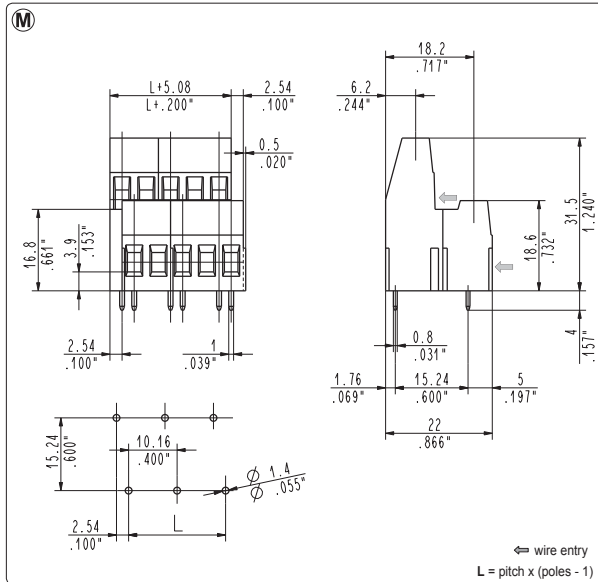
**PSQ\_0D2** 1st & 2nd levels modular  
10 mm / .394" pitch

Assembled Terminal Blocks					
Poles	Code	Pcs/pack.	W [kg]*	Pcs/ind.**	W [kg]*
01	PSQ010D2	200	1,13	500	2,82
02	PSQ020D2	150	1,69	500	5,64
03	PSQ030D2	100	1,69	250	4,23
04	PSQ040D2	80	1,80	250	5,64
05	PSQ050D2	65	1,83	150	4,23
06	PSQ060D2	50	1,69	150	5,08
07	PSQ070D2	35	1,38	100	3,95
08	PSQ080D2	35	1,58	100	4,51
09	PSQ090D2	30	1,52	100	5,08
10	PSQ100D2	30	1,69	100	5,64
11	PSQ110D2	25	1,55	50	3,10
12	PSQ120D2	25	1,69	50	3,38
13	PSQ130D2	15	1,10	50	3,67



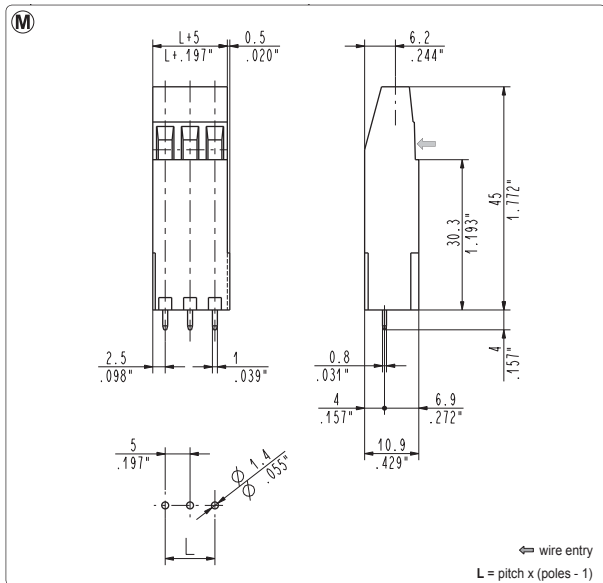
**PSQ\_0D5** 1st & 2nd levels modular  
5.08 mm / .200" pitch

Single Mould Terminal Blocks					
Poles	Code	Pcs/pack.	W [kg]*	Pcs/ind.**	W [kg]*
02	PSQ020D5	200	1,88	500	4,70
03	PSQ030D5	150	2,12	500	7,05



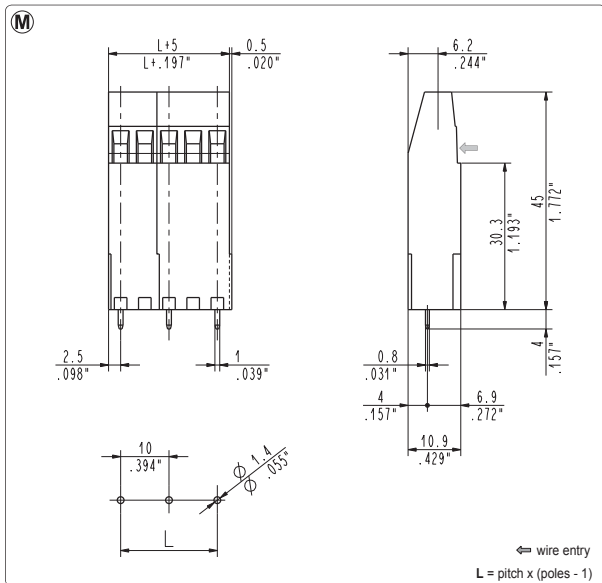
**PSQ\_0D6** 1st & 2nd levels modular  
10.16 mm / .400" pitch

Assembled Terminal Blocks					
Poles	Code	Pcs/pack.	W [kg]*	Pcs/ind.**	W [kg]*
01	PSQ010D6	200	1,13	500	2,82
02	PSQ020D6	150	1,69	500	5,64
03	PSQ030D6	100	1,69	250	4,23
04	PSQ040D6	80	1,80	250	5,64
05	PSQ050D6	65	1,83	150	4,23
06	PSQ060D6	50	1,69	150	5,08
07	PSQ070D6	35	1,38	100	3,95
08	PSQ080D6	35	1,58	100	4,51
09	PSQ090D6	30	1,52	100	5,08
10	PSQ100D6	30	1,69	100	5,64
11	PSQ110D6	25	1,55	50	3,10
12	PSQ120D6	25	1,69	50	3,38
13	PSQ130D6	15	1,10	50	3,67



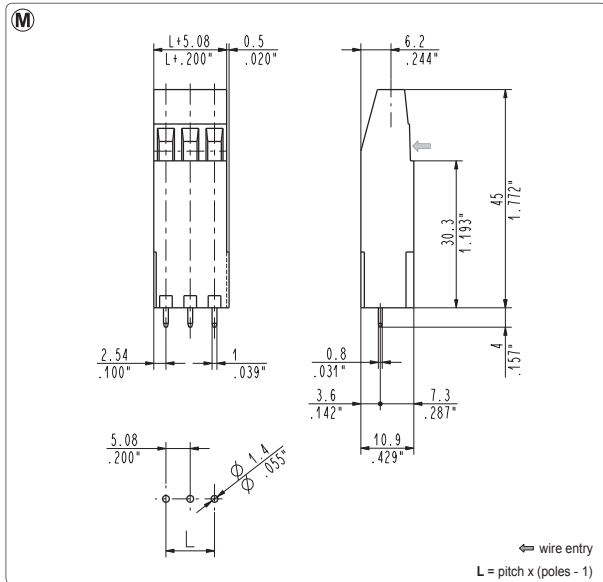
**PSQ\_0H1** high tower modular  
5 mm / .197" pitch

Single Mould Terminal Blocks					
Poles	Code	Pcs/pack.	W [kg]*	Pcs/ind.**	W [kg]*
02	PSQ020H1	200	1,36	500	3,40
03	PSQ030H1	150	1,53	250	2,55



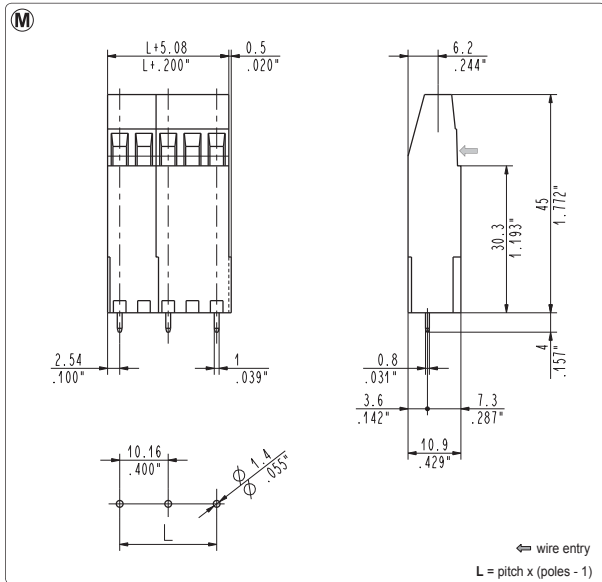
**PSQ\_0H2** high tower modular  
10 mm / .394" pitch

Assembled Terminal Blocks					
Poles	Code	Pcs/pack.	W [kg]*	Pcs/ind.**	W [kg]*
01	PSQ010H2	200	0,83	500	2,09
02	PSQ020H2	150	1,25	250	2,09
03	PSQ030H2	55	0,69	150	1,88
04	PSQ040H2	40	0,67	100	1,67
05	PSQ050H2	30	0,63	100	2,09
06	PSQ060H2	25	0,63	100	2,50
07	PSQ070H2	20	0,58	50	1,46
08	PSQ080H2	20	0,67	50	1,67
09	PSQ090H2	20	0,75	50	1,88
10	PSQ100H2	15	0,63	50	2,09
11	PSQ110H2	15	0,69	50	2,29
12	PSQ120H2	15	0,75	50	2,50
13	PSQ130H2	10	0,54	50	2,71



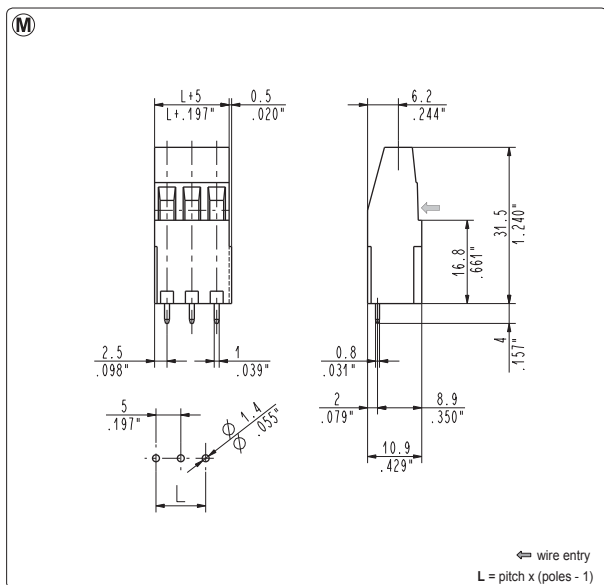
**PSQ\_0H5** high tower modular  
5.08 mm / .200" pitch

Single Mould Terminal Blocks					
Poles	Code	Pcs/pack.	W [kg]*	Pcs/ind.**	W [kg]*
02	PSQ020H5	200	1,36	500	3,40
03	PSQ030H5	150	1,53	250	2,55



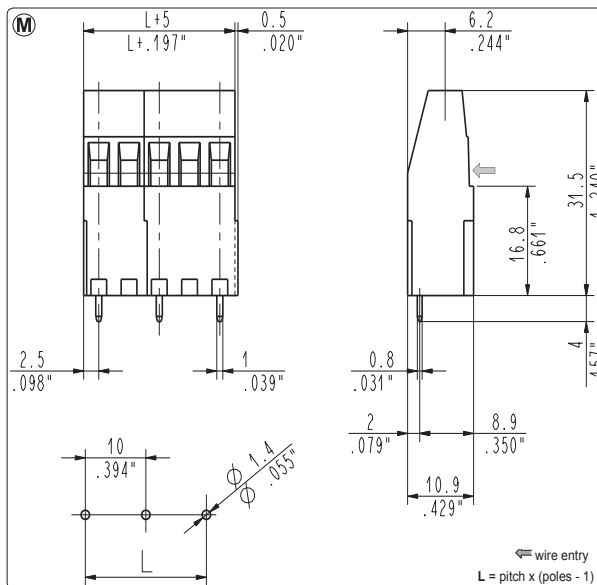
**PSQ\_0H6** high tower modular  
10.16 mm / .400" pitch

Assembled Terminal Blocks					
Poles	Code	Pcs/pack.	W [kg]*	Pcs/ind.**	W [kg]*
01	PSQ010H6	200	0,83	500	2,09
02	PSQ020H6	150	1,25	250	2,09
03	PSQ030H6	55	0,69	150	1,88
04	PSQ040H6	40	0,67	100	1,67
05	PSQ050H6	30	0,63	100	2,09
06	PSQ060H6	25	0,63	100	2,50
07	PSQ070H6	20	0,58	50	1,46
08	PSQ080H6	20	0,67	50	1,67
09	PSQ090H6	20	0,75	50	1,88
10	PSQ100H6	15	0,63	50	2,09
11	PSQ110H6	15	0,69	50	2,29
12	PSQ120H6	15	0,75	50	2,50
13	PSQ130H6	10	0,54	50	2,71



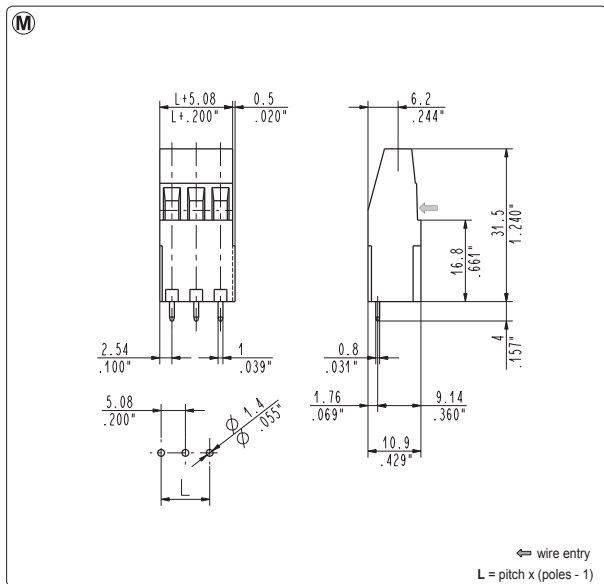
**PSQ\_0M1** medium tower modular  
5 mm / .197" pitch

Single Mould Terminal Blocks					
Poles	Code	Pcs/pack.	W [kg]*	Pcs/ind.**	W [kg]*
02	PSQ020M1	400	2,16	1000	5,40
03	PSQ030M1	250	2,03	750	6,08
04	PSQ040M1	95	1,03	500	5,40
05	PSQ050M1	80	1,08	250	3,38
06	PSQ060M1	70	1,13	250	4,05
07	PSQ070M1	60	1,13	200	3,78
08	PSQ080M1	45	0,97	200	4,32



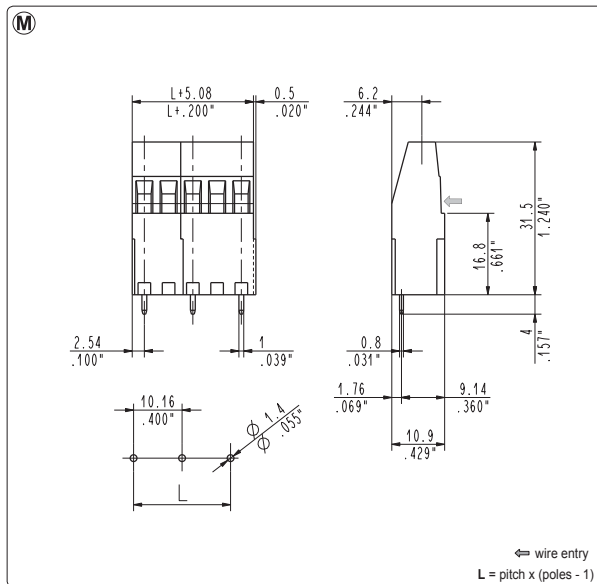
**PSQ\_0M2** medium tower modular  
10 mm / .394" pitch

Assembled Terminal Blocks					
Poles	Code	Pcs/pack.	W [kg]*	Pcs/ind.**	W [kg]*
01	PSQ010M2	400	1,25	1000	3,12
02	PSQ020M2	250	1,56	750	4,68
03	PSQ030M2	80	0,75	250	2,34
04	PSQ040M2	60	0,75	200	2,50
05	PSQ050M2	45	0,70	150	2,34
06	PSQ060M2	35	0,66	100	1,87
07	PSQ070M2	25	0,55	100	2,18
08	PSQ080M2	25	0,62	100	2,50
09	PSQ090M2	25	0,70	100	2,81
10	PSQ100M2	20	0,62	50	1,56
11	PSQ110M2	20	0,69	50	1,72
12	PSQ120M2	20	0,75	50	1,87
13	PSQ130M2	10	0,41	50	2,03



**PSQ\_0M5** medium tower modular  
5.08 mm / .200" pitch

Single Mould Terminal Blocks					
Poles	Code	Pcs/pack.	W [kg]*	Pcs/ind.**	W [kg]*
02	PSQ020M5	400	2,16	1000	5,40
03	PSQ030M5	250	2,03	750	6,08



**PSQ\_0M6** medium tower modular  
10.16 mm / .400" pitch

Assembled Terminal Blocks					
Poles	Code	Pcs/pack.	W [kg]*	Pcs/ind.**	W [kg]*
01	PSQ010M6	400	1,25	1000	3,12
02	PSQ020M6	250	1,56	750	4,68
03	PSQ030M6	80	0,75	250	2,34
04	PSQ040M6	60	0,75	200	2,50
05	PSQ050M6	45	0,70	150	2,34
06	PSQ060M6	35	0,66	100	1,87
07	PSQ070M6	25	0,55	100	2,18
08	PSQ080M6	25	0,62	100	2,50
09	PSQ090M6	25	0,70	100	2,81
10	PSQ100M6	20	0,62	50	1,56
11	PSQ110M6	20	0,69	50	1,72
12	PSQ120M6	20	0,75	50	1,87
13	PSQ130M6	10	0,41	50	2,03