

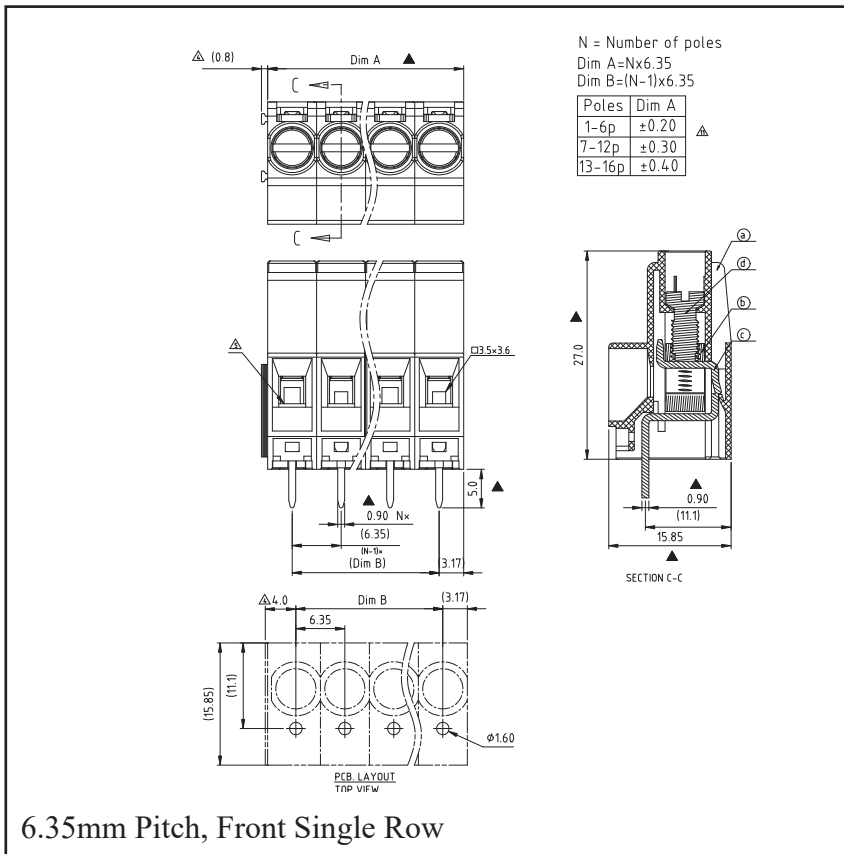
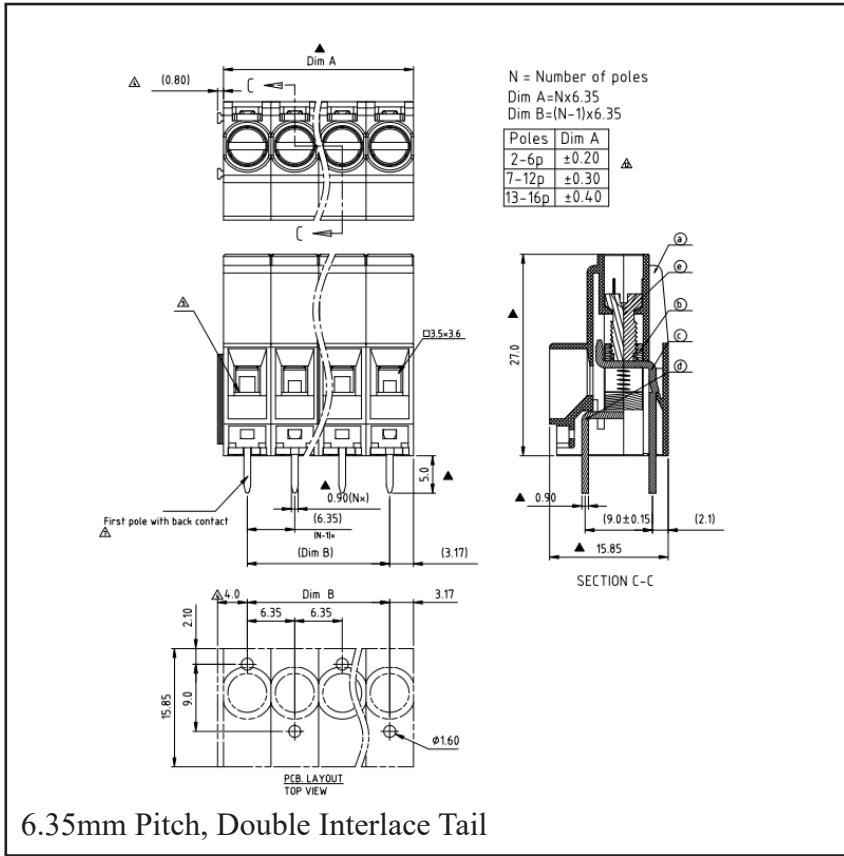
## TECHNICAL INFORMATION

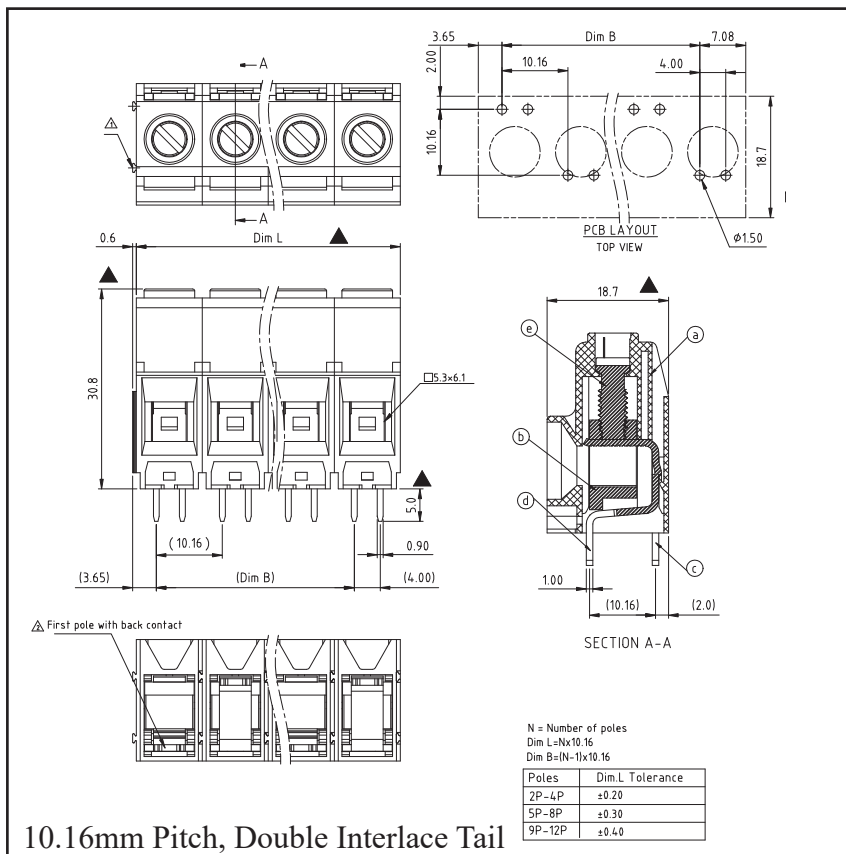
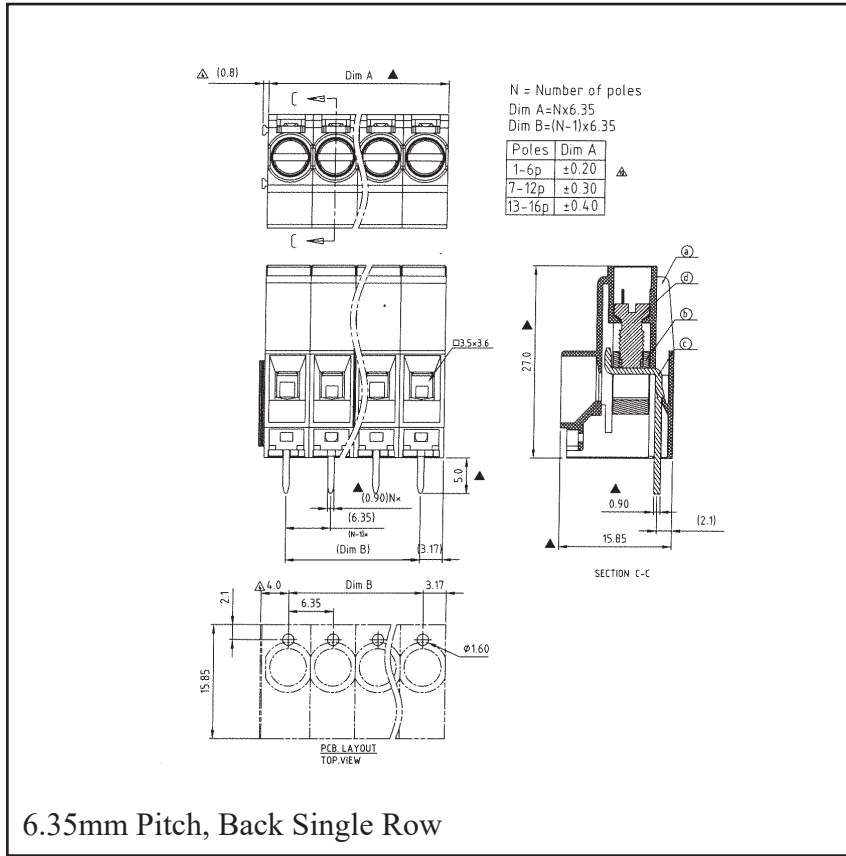
HRTN Series		
Pitch Available (mm)	6.35	10.16
Poles Available	2 - 16	2 - 12
Voltage Rating	600V	600V
Current Rating	30A	65A
Withstanding voltage	2.2KV	2.2KV
Wire Strip Length	8~9mm	10~11mm
Torque (Lb-In)	5.2Lb-In	11.7Lb-In
Solid Wire (AWG)	10 - 24	6 - 20
Stranded Wire (AWG)	10 - 24	6 - 20
Operating Temperature	-40°C to +115°C	-40°C to +115°C
Soldering Temperature	250°C ±10°C /5Sec	250°C ±10°C /5Sec
RoHS Compliant	Yes	Yes

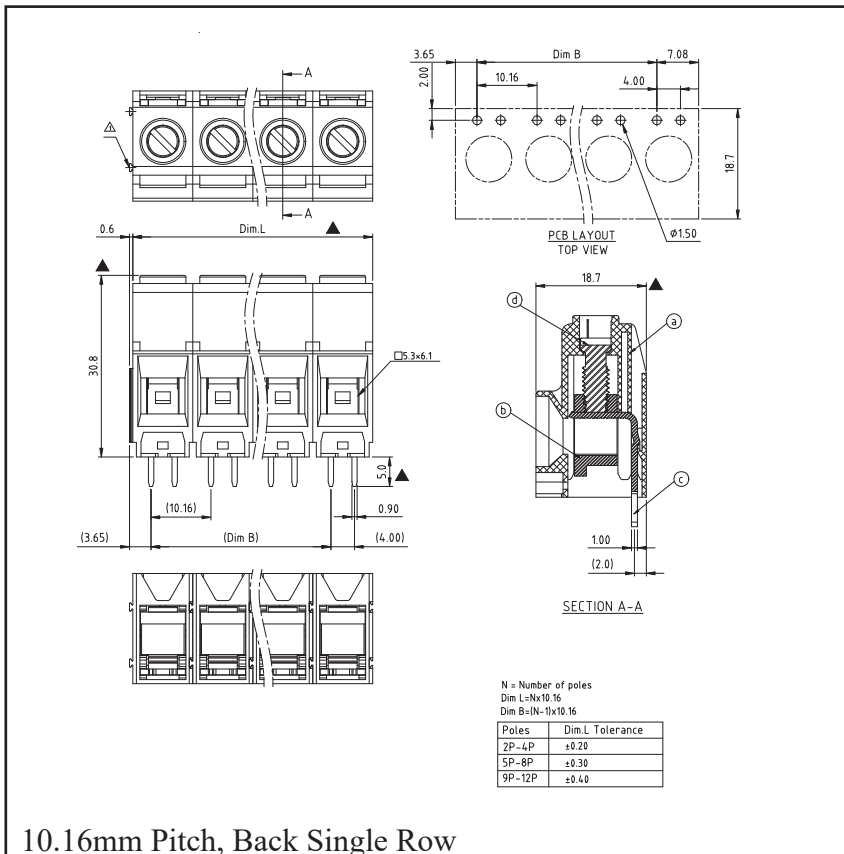
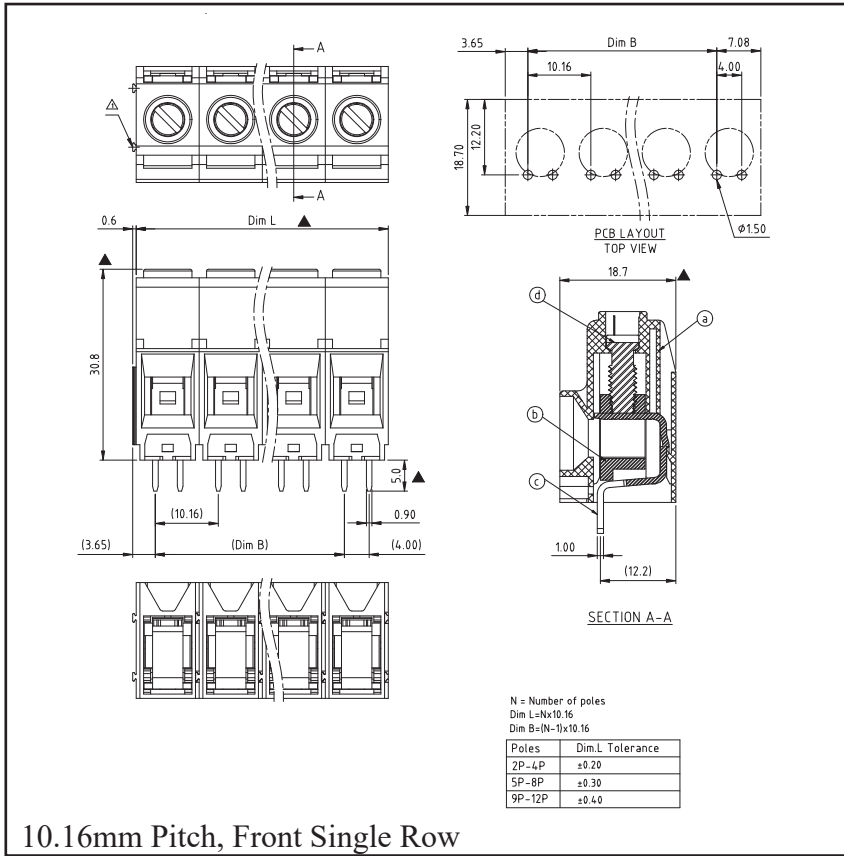
## DRAWINGS

Drawings on next pages

### DRAWINGS







ORDERING CODES

