



Dimensional class:
medium



Standard colour:
green



Dimensions:
28.5 x 22 mm (1.122 x .866 in)



Versions:
modular,
polarized,



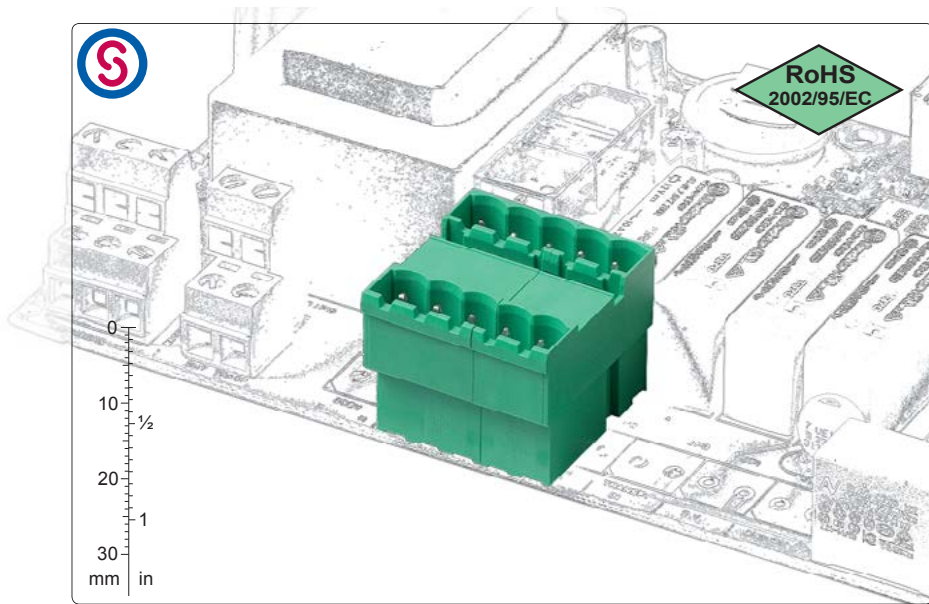
Single mould poles:
from 2 to 25 (modular and side stackable)



Pitches:
metric 5 mm, 10 mm
(.197 in, .394 in)



imperial 5.08 mm, 10.16 mm
(.200 in, .400 in)



pitch 5/5.08 mm
from 2 to 5 poles
straight version, modular



pitch 10/10.16 mm
from 2 to 5 poles
90° version, modular



pitch 10/10.16 mm
from 2 to 25 poles
straight version, polarized



pitch 10/10.16 mm
from 1 to 13 poles
90° version, polarized



CIM-SC1 coding splines

Brief description

The **CRM** Plurimo male connector series is available in 5 mm (.197 in) and 10 mm (.394 in) metric pitches and in 5.08 mm (.200 in) and 10.16 mm (.400 in) Imperial pitches, in blocks from 2 to 25 poles, in polarized or modular versions. It is possible to connect the relative female parallel or vertical to the PCB.

The **CRM** connector series for PCBs is characterized by an asymmetric profile, so mistakes are prevented when connections are made with the relative **CIF** or **CVF** with screw connection to the wire or **CGF** soldered to the board. Further safety when connecting can be obtained by using the **CIF-LC1** and **CIM-SCI** Coding Splines and Coding Clips (see page

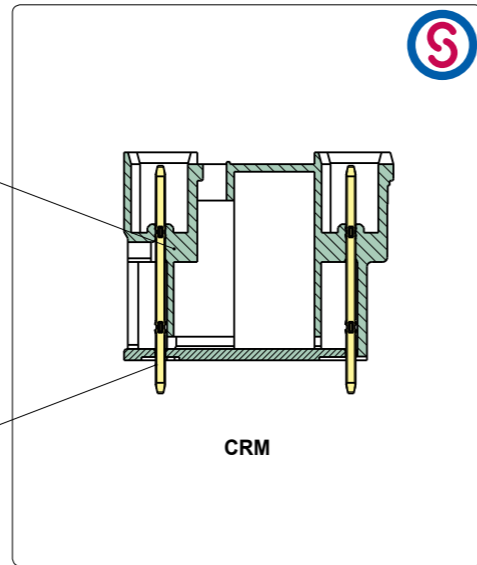
20-21) or **COF-SP1** Polarization Pegs (see page 18-19).

It is possible to side-stack or assemble the basic modular connectors in order to obtain any number of poles without losing the pitch. By taking advantage of this particular characteristic a minimum stock of basic connectors can be kept.

It is simple to manage the product, the warehouse and the assembly with the Kit packages because several versions can be received with only one code, the part-numbers are significantly reduced and the risk of making mistakes is also reduced.



PA 6.6 polyamide housing.
Standard colour: GREEN.
V0 self-extinguishing according to UL 94.
Chlorinated solvents resistant,
with no phosphor, dioxin or
detrimental to health halogens.



CRM

Easy to solder lead-free
tin-plated copper alloy pin.

Mechanical characteristics

Insertion force per pole	max 3 N (.674 lbf)
Withdrawal force per pole	min 1,5 N (.337 lbf)
PCB thickness	max 2.4 mm (.094 in)
PCB hole diameter	min 1.4 mm (.055 in)
Operating temperature range	-40 °C ÷ +110 °C (-40 °F ÷ +230 °F)
Climatic category	40/110/21 According to EN 60068-1

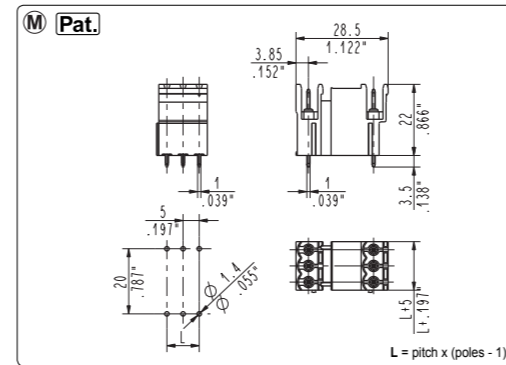
Electric characteristics*

Rated voltage for 5 mm (.197 in) and 5.08 mm (.200 in) pitch	320 V (UL, CSA)*
Rated voltage for 10 mm (.394 in) and 10.16 mm (.400 in) pitch	800 V (IMQ)*
Rated current	16 A (VDE)*
Contact resistance	<15 mΩ
Insulation resistance	>10 ⁹ Ω (500V DC)

*All the a.m. data refer to the highest values amongst the certificated ones.
V voltage, I current values and tightening torque are related to the norms to be applied to the product and to its use.

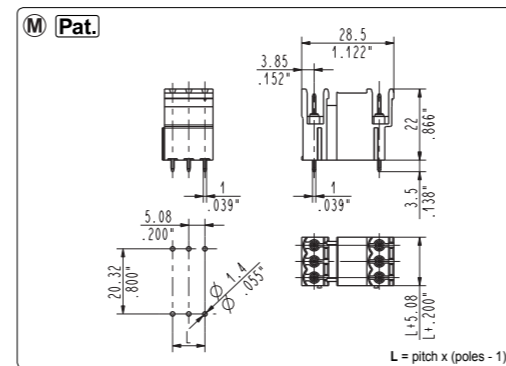
Approvals

IEC-EN	IEC:	for 5 mm and 5.08 mm pitch:	200 V - 16 A - 2.5 mm ² - T110 - 4kV - 3 / 320 V - 16 A - 2.5 mm ² - T110 - 4kV - 2
	EN 61984	for 10 mm and 10.16 mm pitch:	500 V - 16 A - 2.5 mm ² - T110 - 8kV - 3 / 800 V - 16 A - 2.5 mm ² - T110 - 8kV - 2
UL	UL:	300 V - 15 A - 30+12 AWG for 5 mm and 5.08 mm pitch	
	File E167473	600 V - 15 A - 30+12 AWG for 10 mm and 10.16 mm pitch	
		Application values for end-use equipment have to be in accordance to UL norms and applicable to it.	
VDE	VDE:	for 5 mm and 5.08 mm pitch:	250 V - 16 A - 2.5 mm ² - T110 - 2,5kV - 2
	File n. 40027448	for 10 mm and 10.16 mm pitch:	750 V - 16 A - 2.5 mm ² - T110 - 6kV - 2
IMQ	IMQ:	for 5 mm and 5.08 mm pitch:	200 V - 16 A - 2.5 mm ² - T110 - 4kV - 3 / 320 V - 16 A - 2.5 mm ² - T110 - 4kV - 2
	File n. EM672	for 10 mm and 10.16 mm pitch:	500 V - 16 A - 2.5 mm ² - T110 - 8kV - 3 / 800 V - 16 A - 2.5 mm ² - T110 - 8kV - 2



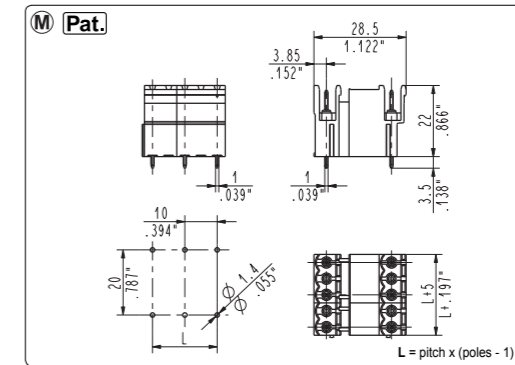
CRM_0M1 straight, modular male

Poles	Code	Pcs/pack.	W [kg]*	Pcs/Ind.**	W [kg]*
02	CRM020M1	225	0,84	500	1,86
03	CRM030M1	150	0,84	500	2,79



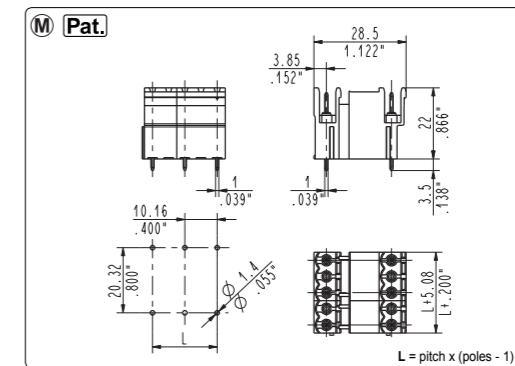
CRM_0M5 straight, modular male

Poles	Code	Pcs/pack.	W [kg]*	Pcs/Ind.**	W [kg]*
02	CRM020M5	225	0,84	500	1,86
03	CRM030M5	150	0,84	500	2,79



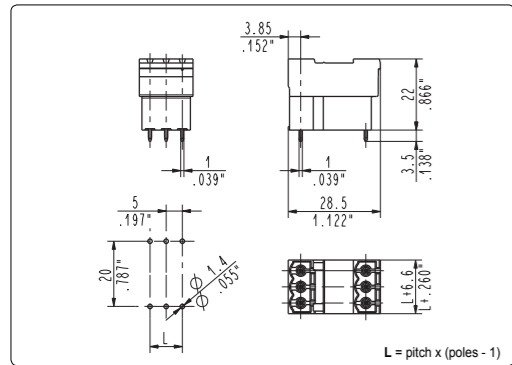
CRM_0M2 straight, modular male

Poles	Code	Pcs/pack.	W [kg]*	Pcs/Ind.**	W [kg]*
01	CRM010M2	225	0,61	500	1,35
02	CRM020M2	150	0,81	500	2,70
03	CRM030M2	120	0,97	500	4,05
04	CRM040M2	80	0,86	250	2,70
05	CRM050M2	50	0,68	250	3,38
06	CRM060M2	50	0,81	250	4,05
07	CRM070M2	40	0,76	250	4,73
08	CRM080M2	40	0,86	250	5,40
09	CRM090M2	40	0,97	250	6,08
10	CRM100M2	30	0,81	125	3,38
11	CRM110M2	30	0,89	125	3,71
12	CRM120M2	30	0,97	125	4,05
13	CRM130M2	20	0,70	125	4,39



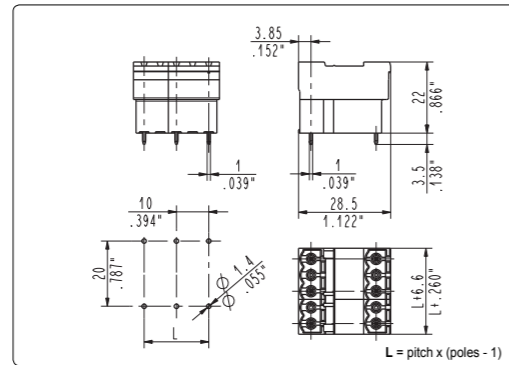
CRM_0M6 straight, modular male

Poles	Code	Pcs/pack.	W [kg]*	Pcs/Ind.**	W [kg]*
01	CRM010M6	225	0,61	500	1,35
02	CRM020M6	150	0,81	500	2,70
03	CRM030M6	120	0,97	500	4,05
04	CRM040M6	80	0,86	250	2,70
05	CRM050M6	50	0,68	250	3,38
06	CRM060M6	50	0,81	250	4,05
07	CRM070M6	40	0,76	250	4,73
08	CRM080M6	40	0,86	250	5,40
09	CRM090M6	40	0,97	250	6,08
10	CRM100M6	30	0,81	125	3,38
11	CRM110M6	30	0,89	125	3,71
12	CRM120M6	30	0,97	125	4,05
13	CRM130M6	20	0,70	125	4,39



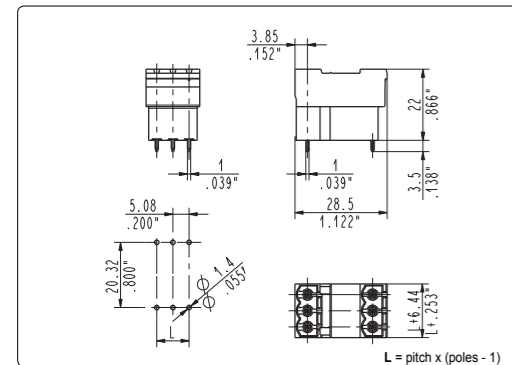
CRM_0P1 straight, polarized male

Poles	Code	Pcs/pack.	W [kg]*	Pcs/Ind.**	W [kg]*
02	CRM020P1	225	0,89	500	1,98
03	CRM030P1	150	0,89	500	2,97
04	CRM040P1	150	1,19	500	3,96
05	CRM050P1	120	1,19	250	2,48
06	CRM060P1	100	1,19	250	2,97
07	CRM070P1	80	1,11	250	3,47
08	CRM080P1	80	1,27	250	3,96
09	CRM090P1	50	0,89	250	4,46
10	CRM100P1	50	0,99	250	4,95
11	CRM110P1	50	1,09	250	5,45
12	CRM120P1	40	0,95	125	2,97
13	CRM130P1	40	1,03	125	3,22
14	CRM140P1	40	1,11	125	3,47
15	CRM150P1	40	1,19	125	3,71
16	CRM160P1	40	1,27	125	3,96
17	CRM170P1	40	1,35	125	4,21
18	CRM180P1	30	1,07	125	4,46
19	CRM190P1	30	1,13	125	4,70
20	CRM200P1	30	1,19	125	4,95
21	CRM210P1	30	1,25	125	5,20
22	CRM220P1	30	1,31	125	5,45
23	CRM230P1	30	1,37	100	4,55
24	CRM240P1	30	1,43	100	4,75
25	CRM250P1	20	0,99	100	4,95



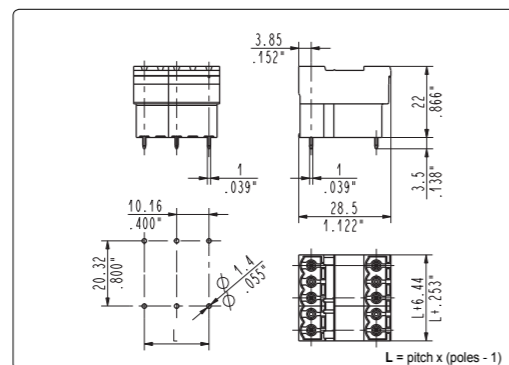
CRM_0P2 straight, polarized male

Poles	Code	Pcs/pack.	W [kg]*	Pcs/Ind.**	W [kg]*
02	CRM020P2	150	0,81	500	2,70
03	CRM030P2	120	0,97	500	4,05
04	CRM040P2	80	0,86	250	2,70
05	CRM050P2	50	0,68	250	3,38
06	CRM060P2	50	0,81	250	4,05
07	CRM070P2	40	0,76	125	2,36
08	CRM080P2	40	0,86	125	2,70
09	CRM090P2	40	0,97	125	3,04
10	CRM100P2	30	0,81	125	3,38
11	CRM110P2	30	0,89	125	3,71
12	CRM120P2	30	0,97	100	3,24
13	CRM130P2	20	0,70	100	3,51



CRM_0P5 straight, polarized male

Poles	Code	Pcs/pack.	W [kg]*	Pcs/Ind.**	W [kg]*
02	CRM020P5	225	0,89	500	1,98
03	CRM030P5	150	0,89	500	2,97
04	CRM040P5	150	1,19	500	3,96
05	CRM050P5	120	1,19	250	2,48
06	CRM060P5	100	1,19	250	2,97
07	CRM070P5	80	1,11	250	3,47
08	CRM080P5	80	1,27	250	3,96
09	CRM090P5	50	0,89	250	4,46
10	CRM100P5	50	0,99	250	4,95
11	CRM110P5	50	1,09	250	5,45
12	CRM120P5	40	0,95	125	2,97
13	CRM130P5	40	1,03	125	3,22
14	CRM140P5	40	1,11	125	3,47
15	CRM150P5	40	1,19	125	3,71
16	CRM160P5	40	1,27	125	3,96
17	CRM170P5	40	1,35	125	4,21
18	CRM180P5	30	1,07	125	4,46
19	CRM190P5	30	1,13	125	4,70
20	CRM200P5	30	1,19	125	4,95
21	CRM210P5	30	1,25	125	5,20
22	CRM220P5	30	1,31	125	5,45
23	CRM230P5	30	1,37	100	4,55
24	CRM240P5	30	1,43	100	4,75
25	CRM250P5	20	0,99	100	4,95



CRM_0P6 straight, polarized male

Poles	Code	Pcs/pack.	W [kg]*	Pcs/Ind.**	W [kg]*
02	CRM020P6	150	0,81	500	2,70
03	CRM030P6	120	0,97	500	4,05
04	CRM040P6	80	0,86	250	2,70
05	CRM050P6	50	0,68	250	3,38
06	CRM060P6	50	0,81	250	4,05
07	CRM070P6	40	0,76	125	2,36
08	CRM080P6	40	0,86	125	2,70
09	CRM090P6	40	0,97	125	3,04
10	CRM100P6	30	0,81	125	3,38
11	CRM110P6	30	0,89	125	3,71
12	CRM120P6	30	0,97	100	3,24
13	CRM130P6	20	0,70	100	3,51

UK & Ireland

Hitaltech UK Ltd
Unit 5, Sovereign Court
Wyrefields, Poulton-le-Fylde
Lancashire FY6 8JX
United Kingdom

Tel : +44 (0)1253 899910
Fax : +44 (0)1253 899920
E-mail : uksales@hitaltech.com

Hitaltech sa / nv
Chaussée de Tervuren 113A
B-1160 Brussels
Belgium

Tel : +32 (0)2 725 20 75
Fax : +32 (0)2 725 21 35
E-mail : europa-sales@hitaltech.com

Benelux & other countries

Germany

Hitaltech GmbH
Bautzner Strabe 104
D-01099 DRESDEN
Germany

Tel : +49 (0)351/655 739-11
Fax : +49 (0)351/655 739-19
E-mail : uta.dietze@villa-stephanie-dresden.de

Hitaltech Corp.
2-50, Sakanoshita
Kamakura
Kanagawa
Japan

Tel : +81 (0) 467 23 81 00
Fax : +81 (0) 467 23 81 01
E-mail : japan-sales@hitaltech.com

Japan

