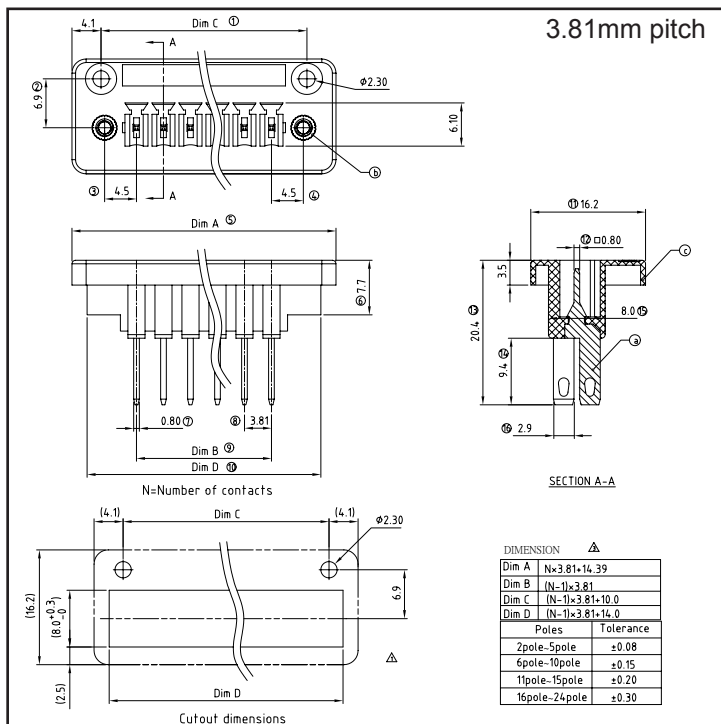
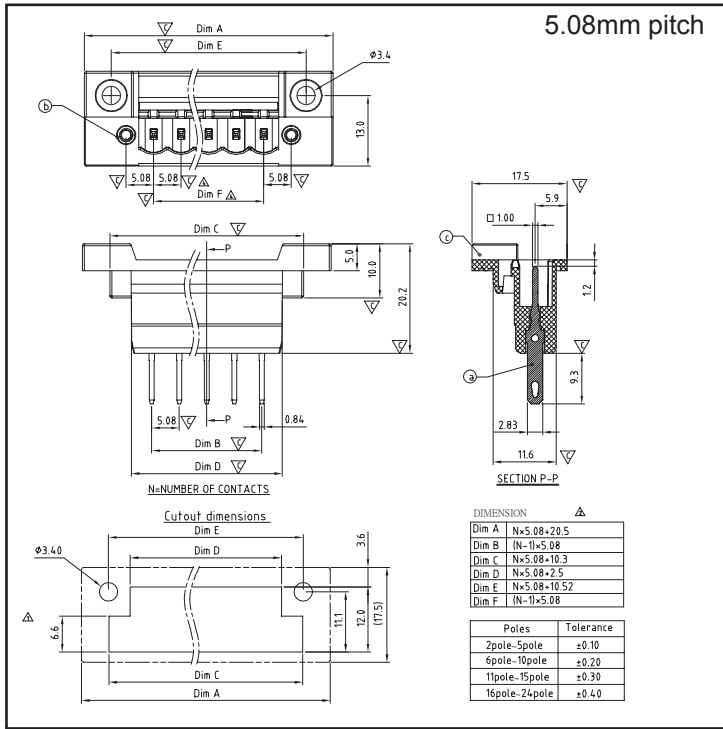


TECHNICAL INFORMATION

HMSL Series		
Pitch Available (mm)	3.81	5.08
Poles Available	2 - 24	2 - 24
Voltage Rating	300V	300V
Current Rating	10A	12A
Withstanding voltage	1.6KV	1.6KV
Operating Temperature	-40°C to +130°C	-40°C to +130°C
Soldering Temperature	250°C ±10°C /5Sec	250°C ±10°C /5Sec-

DRAWINGS





ORDERING CODES

