



Dimensional class:

low



Standard colour:

green



Height:

12.6 mm (.496 in)



Max approved wire sections:

solid: 1.5 mm² (IMQ); 14 AWG (UL)

stranded: 1 mm² (IMQ); 14 AWG (UL)

Clamp opening size:

2.6 x 1.7 mm (.102 x .067 in)



Versions:

modular

Single mould poles:

from 2 to 25



Pitches:

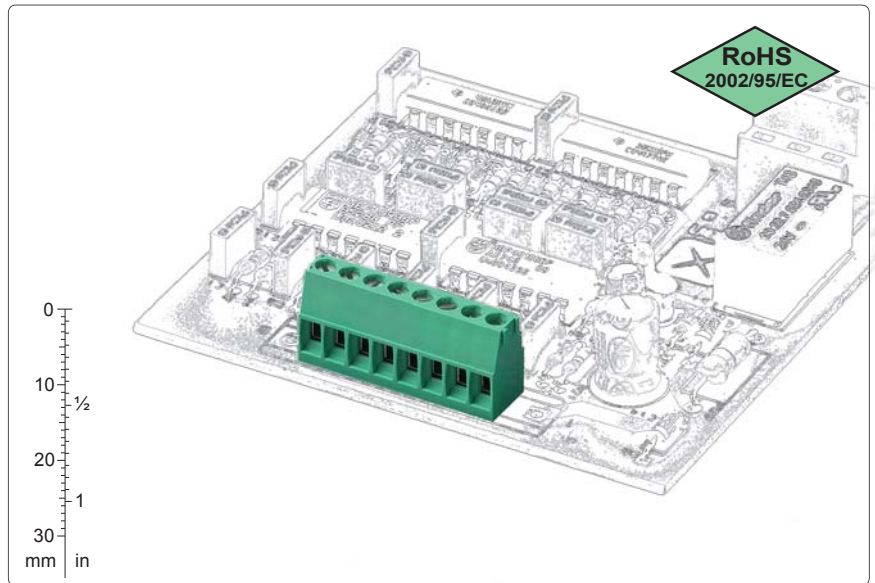
metric 3.5 mm, 7 mm

(.138 in, .275 in)



imperial 3.81 mm, 7.62 mm

(.150 in, .300 in)



pitch 3.5/3.81 mm
straight version
modular



pitch 3.5/3.81 mm
90° version
modular



pitch 7/7.62 mm
straight version
modular



2 poles with pegs
straight version
modular

Brief description

With the **MTS** modular series terminal blocks for PCBs, wires up to **1.5 mm² (16 AWG)** can be used and consequently a current range of **17.5A certified** can be reached.

It is available in 3.5 mm (.138 in) and 7 mm (.275 in) metric pitches and in 3.81 mm (.100 in) and 7.62 mm (.300 in) Imperial pitches, in monolithic blocks from 2 to 25 poles, in both the side-stackable and modular versions, with insertion of the wire parallel to the PCB or inclined at 90°.

All the housings are modular, therefore it is possible to compose the monolithic terminal blocks **from 2 to 25 poles** separately, or to compose the basic terminal blocks until any number of poles is obtained. By taking advantage of this particular characteristic a minimum stock of basic terminal blocks can be kept.

It is simple to manage the product, the warehouse and the assembly with the **Kit packages** because several versions can be received with only one code, the part-numbers are significantly reduced and the risk of making mistakes is also reduced.

MTS with VDE pegs

The straight 2 pole MTS is also available with clamping pegs moulded in the plastic housing to secure it to the PCB.

With this solution the nominal tightening torque can be applied and the most restrictive guidelines set by the international standards (VDE) are passed.



Hitaltech SA/NV

(Sales Benelux, France & Italy)

T: +32 2725 2075

E: Europe-sales@hitaltech.com

Hitaltech UK Ltd

(Sales UK & Eire)

T: +44 (0) 1253 899910

E: uksales@hitaltech.com

Hitaltech GmbH

(Sales Germany)

T: +49 (0) 351 65 57 39 10

E: de-verkauf@hitaltech.com

Hitaltech Corp. Japan

(Sales Asia)

T: +81 (0)467 23 81 00

E: japan-sales@hitaltech.com

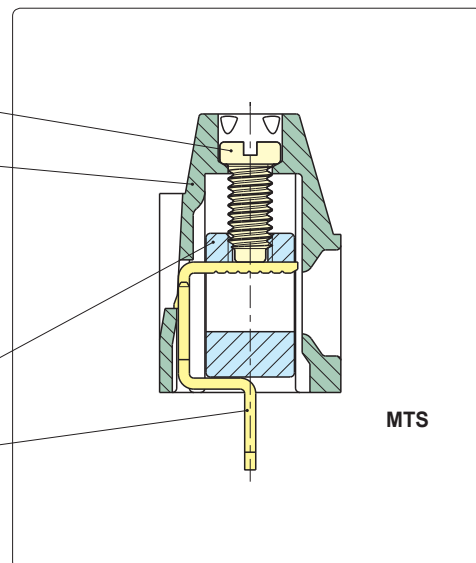
Hitaltech Headquarters

(Sales for the Rest of the World)

T: +32 2725 2075

E: Europe-sales@hitaltech.com

- M2 nickel plated copper alloy screw.
- PA 6.6 polyamide housing.
Standard colour: GREEN.
V0 self-extinguishing according to UL 94.
Chlorinated solvents resistant,
with no phosphor, dioxin or
detrimental to health halogens.
- Nickel plated copper alloy clamp
- Easy to solder lead-free
tin-plated copper alloy pin.



Mechanical characteristics

Recommended/highest tightening torque	0.2/0.25 Nm (1.77/2.21 lbf in)
PCB thickness:	max. 2.4 mm (.094 in)
PCB hole diameter:	min. 1.1 mm (.043 in)
Stripping length	5 ÷ 6 mm (.197 ÷ .24 in)
Operating temperature range	-40 °C ÷ +110 °C (-40 °F ÷ +230 °F)
Climatic category	40/110/21 according to EN 60068-1

Electric characteristics*

Solid wire section	30÷14 AWG (UL)* 0.05 ÷ 1.5 mm ² (IMQ)*
Stranded wire section	30÷14 AWG (UL)* 0.05 ÷ 1 mm ² (IMQ)*
Rated voltage for 3.5 mm (.100 in) and 3.81 mm (.150 in)	300 V (UL)*
Rated voltage for 7 mm (.275 in) and 7.62 mm (.300 in)	750 V (IMQ)*
Rated current	17.5 A (IMQ)*
Contact resistance	<15 mΩ
Insulation resistance	>10 ⁹ Ω (500V DC)

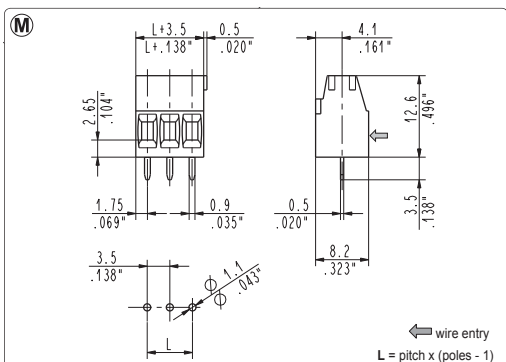
*All the above mentioned data refer to the highest values amongst the certificated ones.

V voltage, I current values and tightening torque are related to the norms to be applied to the product and to its use.

Approvals

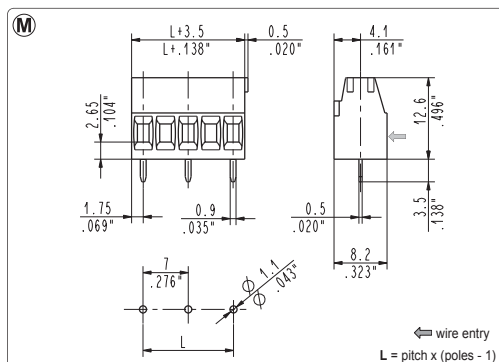
IEC-EN	IEC:	130 V - T 110 - 17.5 A - 1.5 mm ² solid (12 A - 1 mm ² stranded) for 3.5 mm and 3.81 mm pitch
	EN 60998	750 V - T 110 - 17.5 A - 1.5 mm ² solid (12 A - 1 mm ² stranded) for 7 mm and 7.62 mm pitch
UL US	UL:	300 V - 12 A - 30÷14 AWG- 2.2 lbf·in for for 3.5 mm, 3.81 mm, 7 mm and 7.62 mm pitch
	File E167473	Application values for end-use equipment have to be in accordance to UL norms and applicable to it.
VDE	VDE:	130 V - 12 A - T 110 - 1 mm ² for 3.5 mm and 3.81 mm mm pitch
	File n. 40021759	450 V - 12 A - T 110 - 1 mm ² for 7 mm and 7.62 mm pitch
IMQ	IMQ:	130 V - T 110 - 17.5 A - 1.5 mm ² solid (12 A - 1 mm ² stranded) for 3.5 mm and 3.81 mm pitch
	File: CA02.00146	750 V - T 110 - 17.5 A - 1.5 mm ² solid (12 A - 1 mm ² stranded) for 7 mm and 7.62 mm pitch





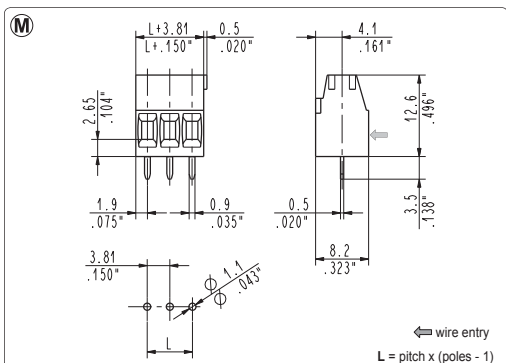
MTS_008 straight, modular

3.5 mm / .138" pitch					
Poles	Code	Pcs./pack.	W [kg]*	Pcs./Ind.**	W [kg]*
02	MTS02008	800	1,30	3500	5,67
03	MTS03008	500	1,22	2250	5,47
04	MTS04008	400	1,30	2000	6,48
05	MTS05008	300	1,22	1500	6,08
06	MTS06008	250	1,22	1000	4,86
07	MTS07008	200	1,13	1000	5,67
08	MTS08008	175	1,13	750	4,86
09	MTS09008	150	1,09	750	5,47
10	MTS10008	125	1,01	750	6,08
11	MTS11008	125	1,11	750	6,68
12	MTS12008	100	0,97	750	7,29
13	MTS13008	100	1,06	750	7,90
14	MTS14008	150	1,14	750	8,51
15	MTS15008	150	1,22	500	6,08
16	MTS16008	150	0,98	500	6,48
17	MTS17008	100	1,04	500	6,89
18	MTS18008	100	1,10	500	7,29
19	MTS19008	100	1,16	500	7,70
20	MTS20008	100	1,22	500	8,10
21	MTS21008	100	1,28	500	8,51
22	MTS22008	100	1,34	500	8,91
23	MTS23008	100	1,40	500	9,32
24	MTS24008	100	0,98	500	9,72
25	MTS25008	75	1,02	250	5,06



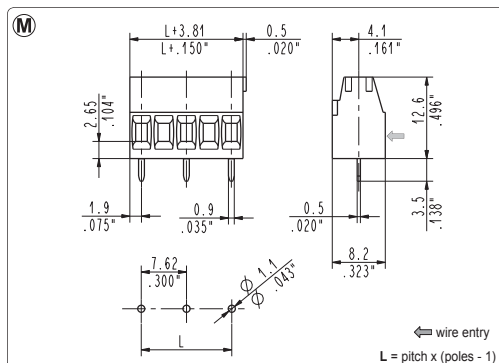
MTS_009 straight, modular

7 mm / .276" pitch					
Poles	Code	Pcs./pack.	W [kg]*	Pcs./Ind.**	W [kg]*
01	MTS01009	800	0,75	3500	3,29
02	MTS02009	500	0,94	2250	4,23
03	MTS03009	300	0,85	1500	4,23
04	MTS04009	200	0,75	1000	3,76
05	MTS05009	150	0,71	750	3,53
06	MTS06009	125	0,71	750	4,23
07	MTS07009	100	0,66	750	4,94
08	MTS08009	100	0,75	500	3,76
09	MTS09009	75	0,63	500	4,23
10	MTS10009	75	0,70	500	4,70
11	MTS11009	75	0,77	500	5,17
12	MTS12009	75	0,84	500	5,64
13	MTS13009	50	0,61	250	3,06



MTS_00T straight, modular

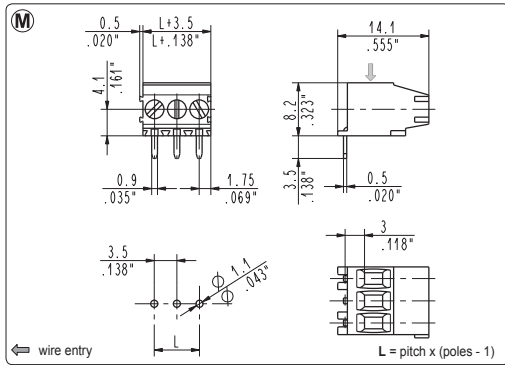
3.81 mm / .150" pitch					
Poles	Code	Pcs./pack.	W [kg]*	Pcs./Ind.**	W [kg]*
02	MTS0200T	800	1,30	3500	5,67
03	MTS0300T	500	1,22	2250	5,47
04	MTS0400T	400	1,30	2000	6,48
05	MTS0500T	300	1,22	1800	7,29
06	MTS0600T	250	1,22	1000	4,86
07	MTS0700T	200	1,13	1000	5,67
08	MTS0800T	175	1,13	750	4,86
09	MTS0900T	150	1,09	750	5,47
10	MTS1000T	125	1,01	750	6,08
11	MTS1100T	125	1,11	750	6,68
12	MTS1200T	100	0,97	750	7,29
13	MTS1300T	100	1,06	750	7,90
14	MTS1400T	100	1,14	750	8,51
15	MTS1500T	100	1,22	500	6,08
16	MTS1600T	75	0,98	500	6,48
17	MTS1700T	75	1,04	500	6,89
18	MTS1800T	75	1,10	500	7,29
19	MTS1900T	75	1,16	500	7,70
20	MTS2000T	75	1,22	500	8,10
21	MTS2100T	75	1,28	500	8,51
22	MTS2200T	75	1,34	500	8,91
23	MTS2300T	75	1,40	500	9,32
24	MTS2400T	50	0,98	500	9,72
25	MTS2500T	50	1,02	250	5,06



MTS_007 straight, modular

7.62 mm / .300" pitch					
Poles	Code	Pcs./pack.	W [kg]*	Pcs./Ind.**	W [kg]*
01	MTS01007	800	0,75	3500	3,29
02	MTS02007	500	0,94	2250	4,23
03	MTS03007	300	0,85	1500	4,23
04	MTS04007	200	0,75	1000	3,76
05	MTS05007	150	0,71	750	3,53
06	MTS06007	125	0,71	750	4,23
07	MTS07007	100	0,66	750	4,94
08	MTS08007	100	0,75	500	3,76
09	MTS09007	75	0,63	500	4,23
10	MTS10007	75	0,70	500	4,70
11	MTS11007	75	0,77	500	5,17
12	MTS12007	75	0,84	500	5,64
13	MTS13007	50	0,61	250	3,06

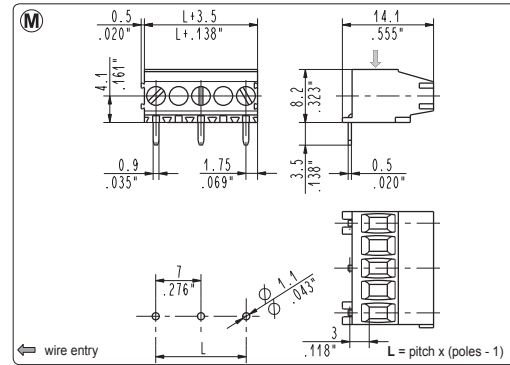




MTS_098 90°, modular

3.5 mm / .138" pitch

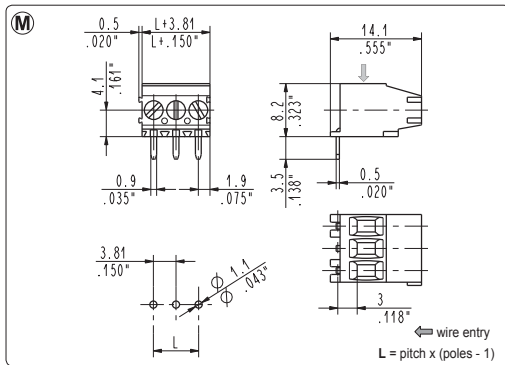
Poles	Code	Pcs/pack.	W [kg]*	Pcs/Ind.**	W [kg]*
02	MTS02098	800	1,30	3500	5,67
03	MTS03098	500	1,22	2250	5,47
04	MTS04098	400	1,30	2000	6,48
05	MTS05098	300	1,22	1500	6,08
06	MTS06098	250	1,22	1000	4,86
07	MTS07098	200	1,13	1000	5,67
08	MTS08098	175	1,13	750	4,86
09	MTS09098	150	1,09	750	5,47
10	MTS10098	125	1,01	750	6,08
11	MTS11098	125	1,11	750	6,68
12	MTS12098	100	0,97	750	7,29
13	MTS13098	100	1,06	750	7,90
14	MTS14098	100	1,14	750	8,51
15	MTS15098	100	1,22	500	6,08
16	MTS16098	75	0,98	500	6,48
17	MTS17098	75	1,04	500	6,89
18	MTS18098	75	1,10	500	7,29
19	MTS19098	75	1,16	500	7,70
20	MTS20098	75	1,22	500	8,10
21	MTS21098	75	1,28	500	8,51
22	MTS22098	75	1,34	500	8,91
23	MTS23098	75	1,40	500	9,32
24	MTS24098	50	0,98	500	9,72
25	MTS25098	50	1,02	250	5,06



MTS_099 90°, modular

7 mm / .276" pitch

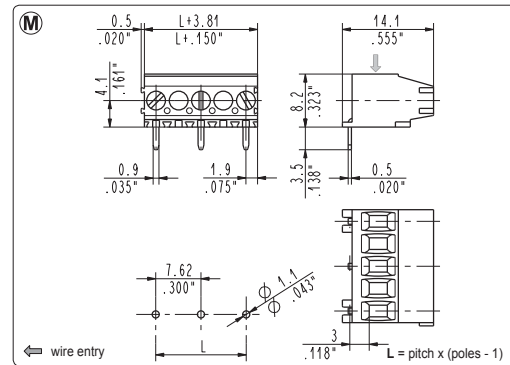
Poles	Code	Pcs/pack.	W [kg]*	Pcs/Ind.**	W [kg]*
01	MTS01099	800	0,75	3500	3,29
02	MTS02099	500	0,94	2250	4,23
03	MTS03099	300	0,85	1500	4,23
04	MTS04099	200	0,75	1000	3,76
05	MTS05099	150	0,71	750	3,53
06	MTS06099	125	0,71	750	4,23
07	MTS07099	100	0,66	750	4,94
08	MTS08099	100	0,75	500	3,76
09	MTS09099	75	0,63	500	4,23
10	MTS10099	75	0,70	500	4,70
11	MTS11099	75	0,77	500	5,17
12	MTS12099	75	0,84	500	5,64
13	MTS13099	50	0,61	250	3,06



MTS_09T 90°, modular

3.81 mm / .150" pitch

Poles	Code	Pcs/pack.	W [kg]*	Pcs/Ind.**	W [kg]*
02	MTS0209T	800	1,30	3500	5,67
03	MTS0309T	500	1,22	2250	5,47
04	MTS0409T	400	1,30	2000	6,48
05	MTS0509T	300	1,22	1500	6,08
06	MTS0609T	250	1,22	1000	4,86
07	MTS0709T	200	1,13	1000	5,67
08	MTS0809T	175	1,13	750	4,86
09	MTS0909T	150	1,09	750	5,47
10	MTS1009T	125	1,01	750	6,08
11	MTS1109T	125	1,11	750	6,68
12	MTS1209T	100	0,97	750	7,29
13	MTS1309T	100	1,06	750	7,90
14	MTS1409T	100	1,14	750	8,51
15	MTS1509T	100	1,22	500	6,08
16	MTS1609T	75	0,98	500	6,48
17	MTS1709T	75	1,04	500	6,89
18	MTS1809T	75	1,10	500	7,29
19	MTS1909T	75	1,16	500	7,70
20	MTS2009T	75	1,22	500	8,10
21	MTS2109T	75	1,28	500	8,51
22	MTS2209T	75	1,34	500	8,91
23	MTS2309T	75	1,40	500	9,32
24	MTS2409T	50	0,98	500	9,72
25	MTS2509T	50	1,02	250	5,06

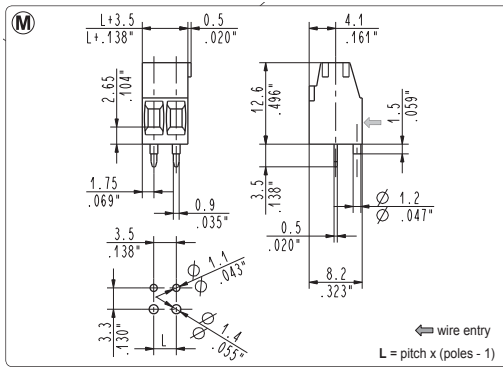


MTS_097 90°, modular

7.62 mm / .300" pitch

Poles	Code	Pcs/pack.	W [kg]*	Pcs/Ind.**	W [kg]*
01	MTS01097	800	0,75	3500	3,29
02	MTS02097	500	0,94	2250	4,23
03	MTS03097	300	0,85	1500	4,23
04	MTS04097	200	0,75	1000	3,76
05	MTS05097	150	0,71	750	3,53
06	MTS06097	125	0,71	750	4,23
07	MTS07097	100	0,66	750	4,94
08	MTS08097	100	0,75	500	3,76
09	MTS09097	75	0,63	500	4,23
10	MTS10097	75	0,70	500	4,70
11	MTS11097	75	0,77	500	5,17
12	MTS12097	75	0,84	500	5,64
13	MTS13097	50	0,61	250	3,06

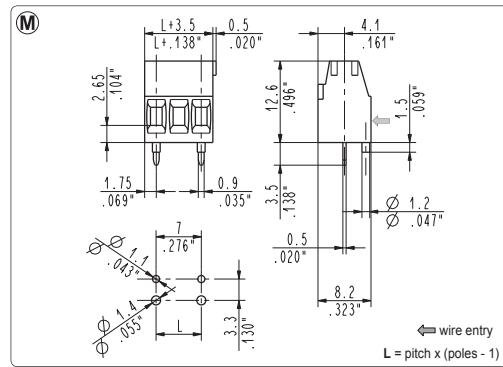




MTS_008-0000P straight, modular with VDE pegs

3.5 mm / .138" pitch

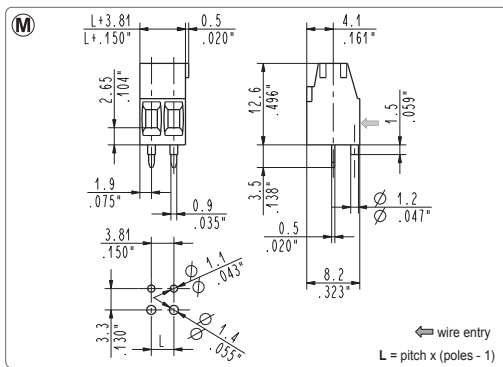
Poles	Code	Pcs/pack.	W [kg]*	Pcs/Ind.**	W [kg]*
02	MTS02008-0000P	800	1,30	3500	5,67
03	MTS03008-0000P	500	1,22	2250	5,47



MTS_009-0000P Straight with Vde Pegs, Side Entry

7 mm / .276" pitch

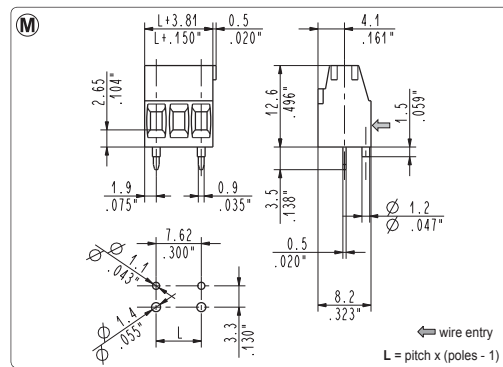
Poles	Code	Pcs/pack.	W [kg]*	Pcs/Ind.**	W [kg]*
02	MTS02009-0000P	500	0,94	2250	4,23
03	MTS03009-0000P	300	0,85	1500	4,23



MTS_00T-0000P straight, modular with VDE pegs

3.81 mm / .150" pitch

Poles	Code	Pcs/pack.	W [kg]*	Pcs/Ind.**	W [kg]*
02	MTS0200T-0000P	800	1,30	3500	5,67
03	MTS0300T-0000P	300	0,73	2250	5,47



MTS_007-0000P straight, modular with VDE pegs

7.62 mm / .300" pitch

Poles	Code	Pcs/pack.	W [kg]*	Pcs/Ind.**	W [kg]*
02	MTS02007-0000P	500	0,94	2250	4,23
03	MTS03007-0000P	300	0,85	1500	4,23



UK & Ireland

Hitaltech UK Ltd
Unit 5, Sovereign Court
Wyrefields, Poulton-le-Fylde
Lancashire FY6 8JX
United Kingdom

Tel : +44 (0)1253 899910
Fax : +44 (0)1253 899920
E-mail : uksales@hitaltech.com

Hitaltech sa / nv
Chaussée de Tervuren 113A
B-1160 Brussels
Belgium

Tel : +32 (0)2 725 20 75
Fax : +32 (0)2 725 21 35
E-mail : europa-sales@hitaltech.com

Benelux &
other countries

Germany

Hitaltech GmbH
Bautzner Strabe 104
D-01099 DRESDEN
Germany

Tel : +49 (0)351/655 739-11
Fax : +49 (0)0351/655 739-19
E-mail : uta.dietze@villa-stephanie-dresden.de

Hitaltech Corp.
2-50, Sakanoshita
Kamakura
Kanagawa
Japan

Japan

Tel : +81 (0) 467 23 81 00
Fax : +81 (0) 467 23 81 01
E-mail : japan-sales@hitaltech.com