

TECHNICAL INFORMATION

HSTQ Series			
Pitch Available (mm)	5.08	7.62	10.16
Poles Available	2*2 - 2*24	2*2 - 2*16	2*2-2*12
Voltage Rating	300V	300V	300V
Current Rating	10A	10A	10A
Withstanding voltage	1.6KV	1.6KV	1.6KV
Operating Temperature	-40°C to +115°C		
Soldering Temperature	260°C ± 10°C / 5Sec		
Wire Strip Length	5~6mm	5~6m	5~6mm
Solid Wire (AWG)	12-28	12-28	12-28
Stranded Wire (AWG)	12-28	12-28	12-28
UL File No.	E314038		

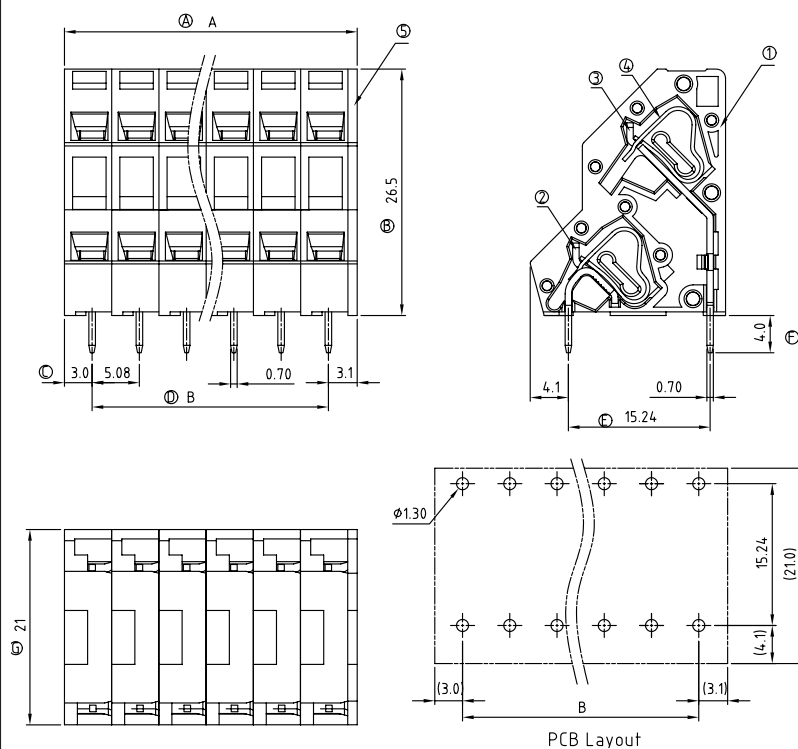
DRAWINGS

ON NEXT PAGE

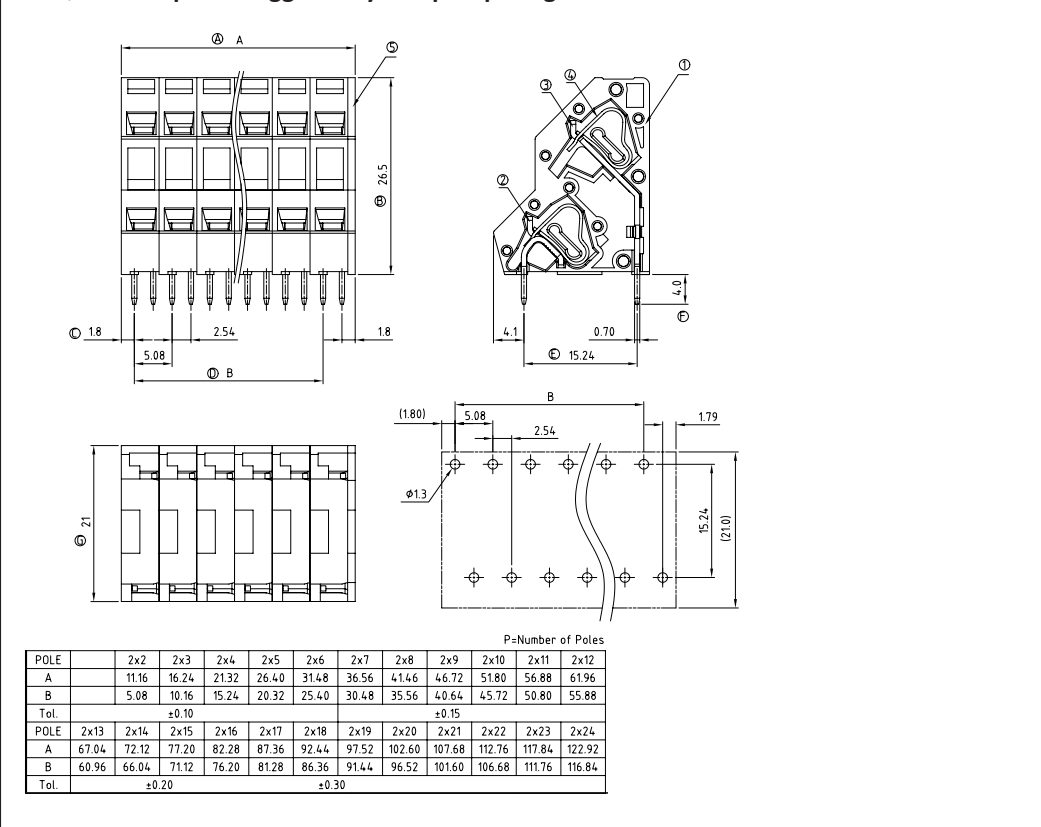


HSTQ 5.08mm Solder Pin in line

POLE	2x2	2x3	2x4	2x5	2x6	2x7	2x8	2x9	2x10	2x11	2x12	
A	11.16	16.24	21.32	26.40	31.48	36.56	41.64	46.72	51.80	56.88	61.96	
B	5.08	10.16	15.24	20.32	25.40	30.48	35.56	40.64	45.72	50.80	55.88	
Tol.	±0.10											
POLE	2x13	2x14	2x15	2x16	2x17	2x18	2x19	2x20	2x21	2x22	2x23	2x24
A	67.04	72.12	77.20	82.28	87.36	92.44	97.52	102.60	107.68	112.76	117.84	122.92
B	60.96	66.04	71.12	76.20	81.28	86.36	91.44	96.52	101.60	106.68	111.76	116.84
Tol.	±0.20											



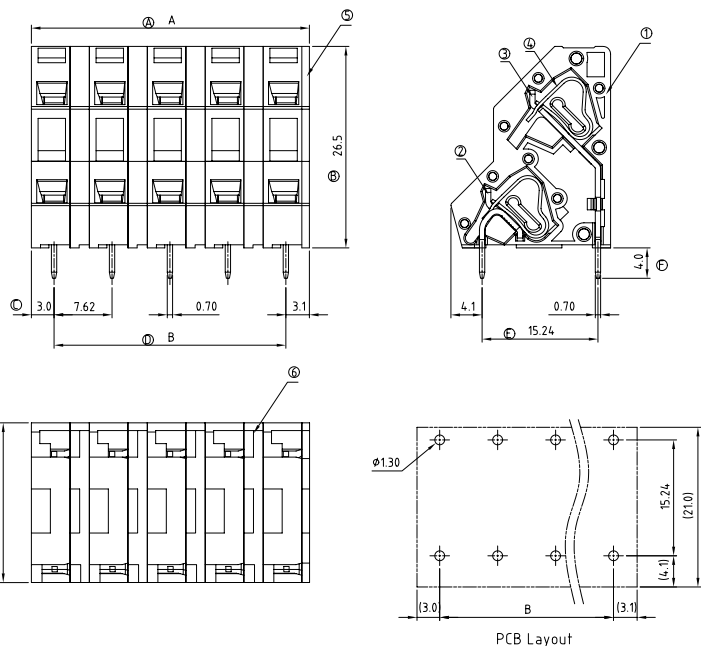
HSTQ 5.08mm pitch Staggered by half pin spacing



P-Number of Poles												
POLE	2x2	2x3	2x4	2x5	2x6	2x7	2x8	2x9	2x10	2x11	2x12	
A	11.16	16.24	21.32	26.40	31.48	36.56	41.64	46.72	51.80	56.88	61.96	
B	5.08	10.16	15.24	20.32	25.40	30.48	35.56	40.64	45.72	50.80	55.88	
Tol.	±0.10											
POLE	2x13	2x14	2x15	2x16	2x17	2x18	2x19	2x20	2x21	2x22	2x23	2x24
A	67.04	72.12	77.20	82.28	87.36	92.44	97.52	102.60	107.68	112.76	117.84	122.92
B	60.96	66.04	71.12	76.20	81.28	86.36	91.44	96.52	101.60	106.68	111.76	116.84
Tol.	±0.20											

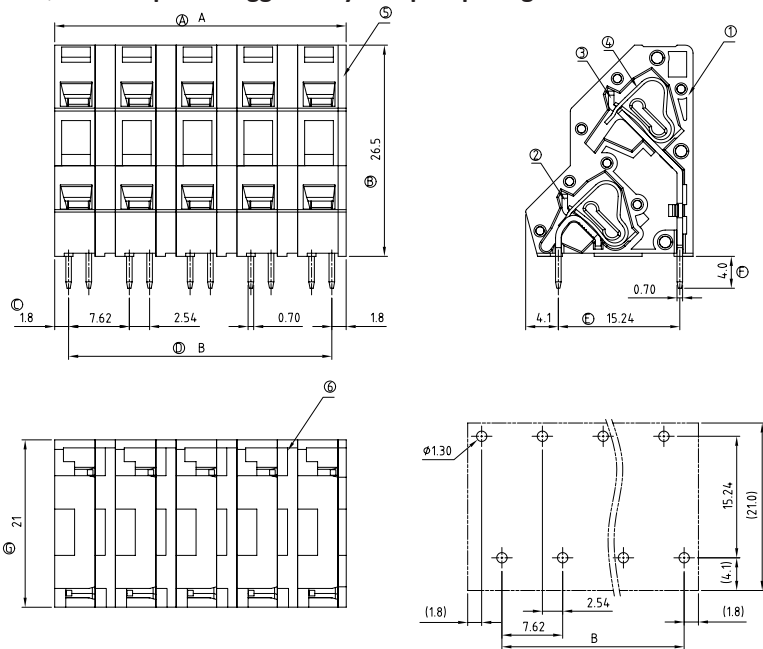


HSTQ 7.62m Pitch In line



POLE	2x2	2x3	2x4	2x5	2x6	2x7	2x8	
A	13.70	21.32	28.94	36.56	44.18	51.80	59.42	
B	7.62	15.24	22.86	30.48	38.10	45.72	53.34	
Tol.	±0.10			±0.15				
POLE	2x9	2x10	2x11	2x12	2x13	2x14	2x15	2x16
A	67.04	74.66	82.28	89.90	97.52	105.14	112.76	120.38
B	60.96	68.58	76.20	83.82	91.44	99.06	106.68	114.30
Tol.	±0.20				±0.30			

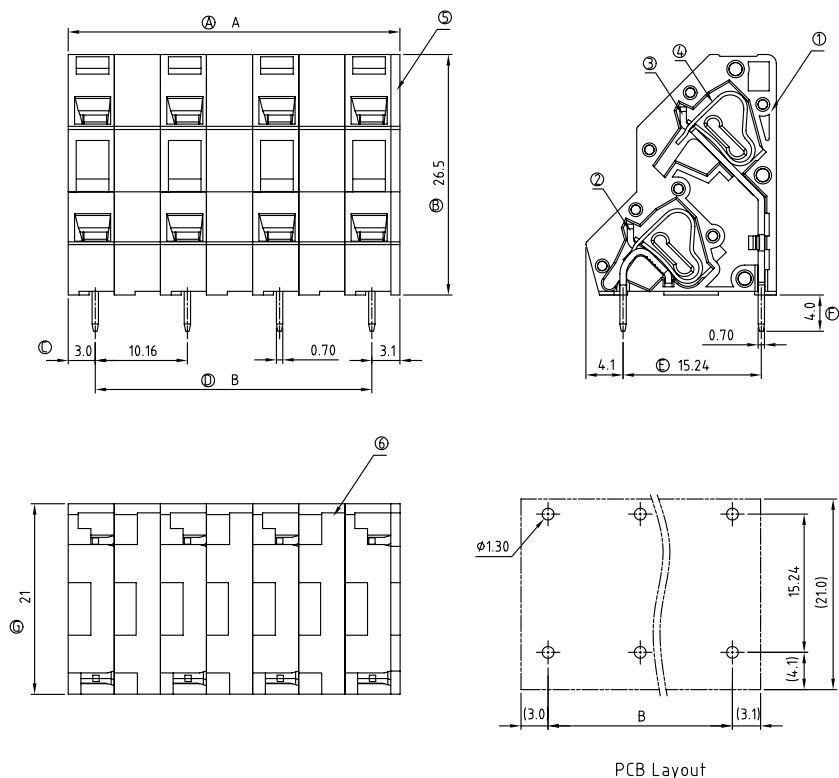
HSTQ 7.62mm pitch staggered by half pin spacing



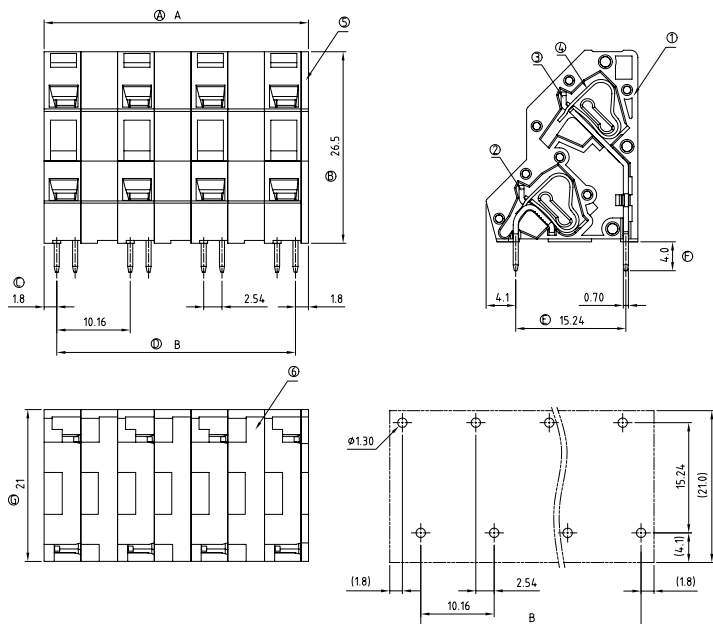
POLE	2x2	2x3	2x4	2x5	2x6	2x7	2x8	
A	13.70	21.32	28.94	36.56	44.18	51.80	59.42	
B	7.62	15.24	22.86	30.48	38.10	45.72	53.34	
Tol.	±0.10			±0.15				
POLE	2x9	2x10	2x11	2x12	2x13	2x14	2x15	2x16
A	67.04	74.66	82.28	89.90	97.52	105.14	112.76	120.38
B	60.96	68.58	76.20	83.82	91.44	99.06	106.68	114.30
Tol.	±0.20				±0.30			



HSTQ 10.16mm Pitch pin In line



HSTQ 10.16mm Pitch Staggered by half pin spacing.



POLE	2x2	2x3	2x4	2x5	2x6	2x7	2x8	2x9	2x10	2x11	2x12
A	16.24	26.40	36.56	46.72	56.88	67.04	77.20	87.36	97.52	107.68	117.84
B	10.16	20.32	30.48	40.64	50.80	60.96	71.12	81.28	91.44	101.60	111.76
Tol.		±0.10								±0.15	



