

## TECHNICAL INFORMATION

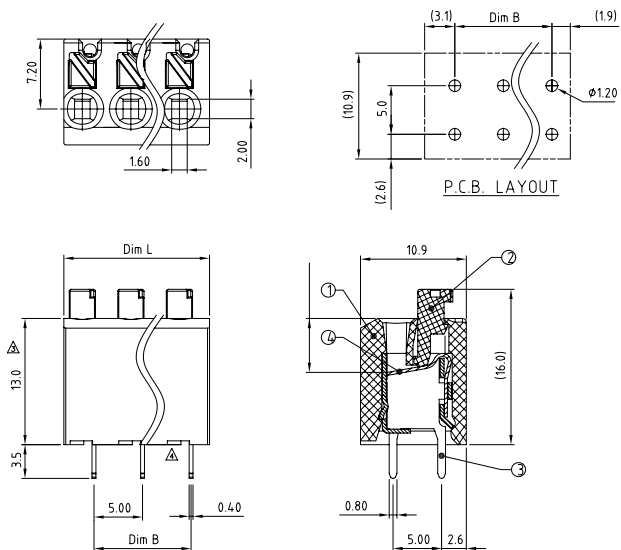
<b>HSTF Series</b>	
Pitch Available (mm)	5.00
Poles Available	2 - 24
Voltage Rating	300V
Current Rating	10A
Withstanding voltage	1.6KV
Operating Temperature	-40°C to +115°C
Soldering Temperature	250°C ± 10°C / 5Sec
Wire Strip Length	8~9mm
Solid Wire (AWG)	16-20
Stranded Wire (AWG)	16-20
UL File No.	E314038

## DRAWINGS

## ON NEXT PAGE

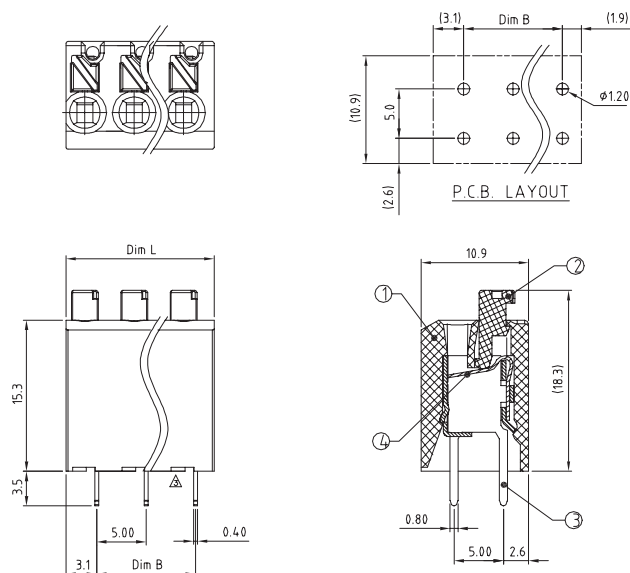


#### HSTF 5.00mm Pitch Low Profile



Poles	02	03	04	05	06	07	08	09	10	11	12	13
Dim L	10.00	15.00	20.00	25.00	30.00	35.00	40.00	45.00	50.00	55.00	60.00	65.00
Dim B	5.00	10.00	15.00	20.00	25.00	30.00	35.00	40.00	45.00	50.00	55.00	60.00
TOL			±0.15					±0.20			±0.25	
Poles	14	15	16	17	18	19	20	21	22	23	24	
Dim L	70.00	75.00	80.00	85.00	90.00	95.00	100.0	105.0	110.0	115.0	120.0	
Dim B	65.00	70.00	75.00	80.00	85.00	90.00	95.00	100.0	105.0	110.0	115.0	
TOL			±0.25					±0.30				

#### HSTF 5.00mm Pitch High Profile



Poles	02	03	04	05	06	07	08	09	10	11	12	13
Dim L	10.00	15.00	20.00	25.00	30.00	35.00	40.00	45.00	50.00	55.00	60.00	65.00
Dim B	5.00	10.00	15.00	20.00	25.00	30.00	35.00	40.00	45.00	50.00	55.00	60.00
TOL			±0.15					±0.20			±0.25	
Poles	14	15	16	17	18	19	20	21	22	23	24	
Dim L	70.00	75.00	80.00	85.00	90.00	95.00	100.0	105.0	110.0	115.0	120.0	
Dim B	65.00	70.00	75.00	80.00	85.00	90.00	95.00	100.0	105.0	110.0	115.0	
TOL			±0.25					±0.30				



