



With Lever

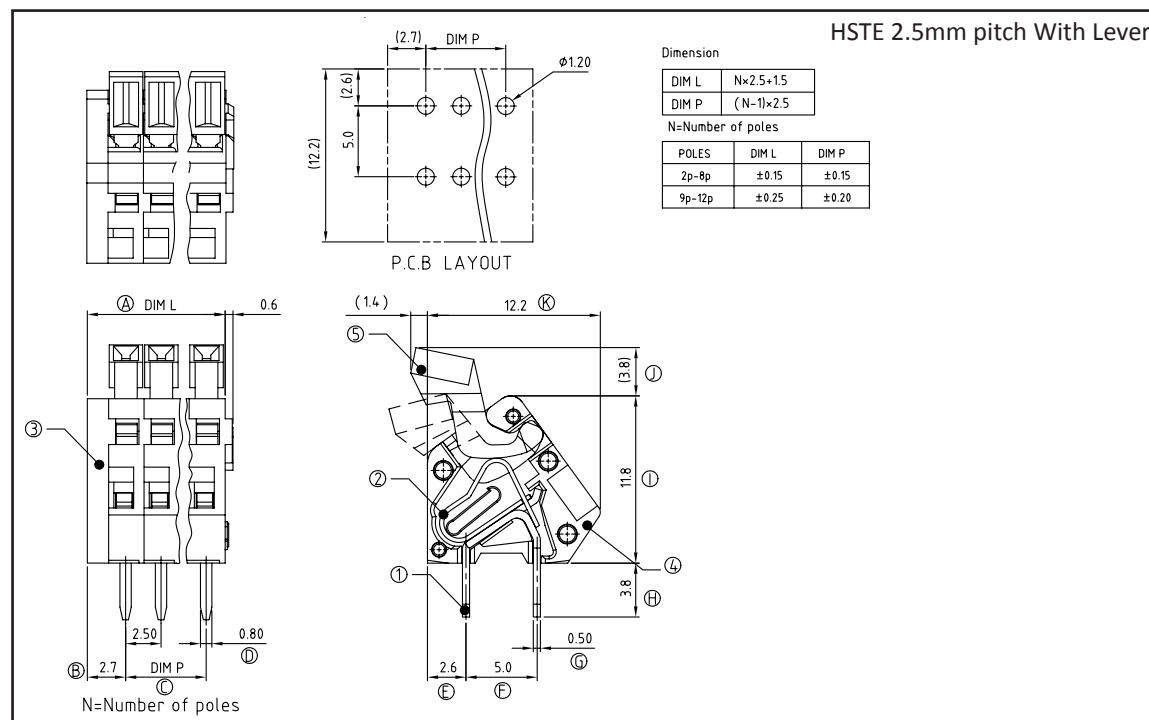


Without Lever

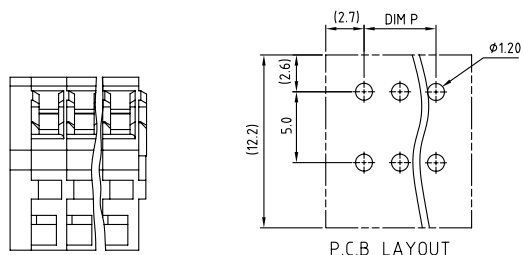
TECHNICAL INFORMATION

| HSTE Series | With/Without Lever | With Lever Only |
|-----------------------|---------------------|---------------------|
| Pitch Available (mm) | 2.5 / 2.54 | 5.00 / 5.08 |
| Poles Available | 2 - 12 | 2 - 8 |
| Voltage Rating | 150V | 150V |
| Current Rating | 4A | 4A |
| Withstanding voltage | 1.3KV | 1.3KV |
| Operating Temperature | -40°C to +115°C | -40°C to +115°C |
| Soldering Temperature | 250°C ± 10°C / 5Sec | 250°C ± 10°C / 5Sec |
| Wire Strip Length | 6~7mm | 6~7mm |
| Solid Wire (AWG) | 22 - 28 | 22 - 28 |
| Stranded Wire (AWG) | 22 - 28 | 22 - 28 |
| UL File No. | E314038 | |

DRAWINGS



HSTE 2.5mm pitch, No Lever



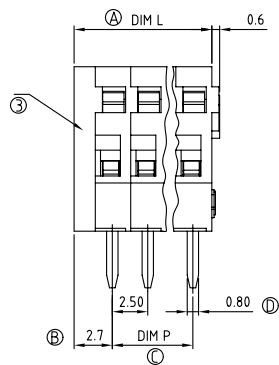
Dimension

| | |
|-------|----------------------|
| DIM L | $N \times 2.5 + 1.5$ |
| DIM P | $(N - 1) \times 2.5$ |

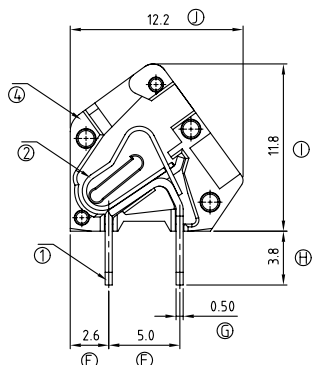
N=Number of poles

| POLES | DIM A | DIM B |
|--------|-------|-------|
| 2p-8p | ±0.15 | ±0.15 |
| 9p-12p | ±0.25 | ±0.20 |

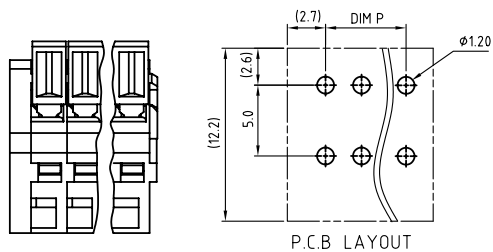
P.C.B LAYOUT



N=Number of poles



HSTE 2.54mm pitch, With Lever



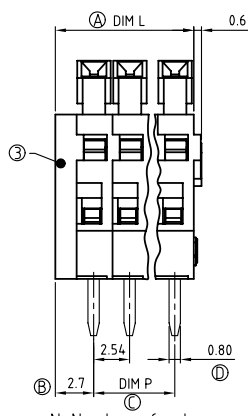
Dimension

| | |
|-------|-----------------------|
| DIM L | $N \times 2.54 + 1.5$ |
| DIM P | $(N - 1) \times 2.54$ |

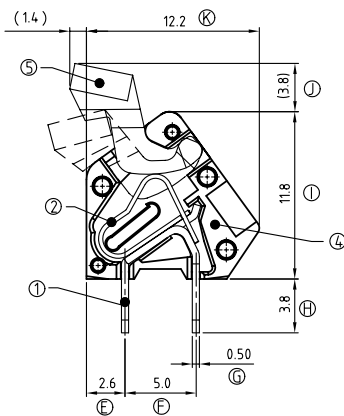
N=Number of poles

| POLES | DIM L | DIM P |
|--------|-------|-------|
| 2p-8p | ±0.15 | ±0.15 |
| 9p-12p | ±0.25 | ±0.20 |

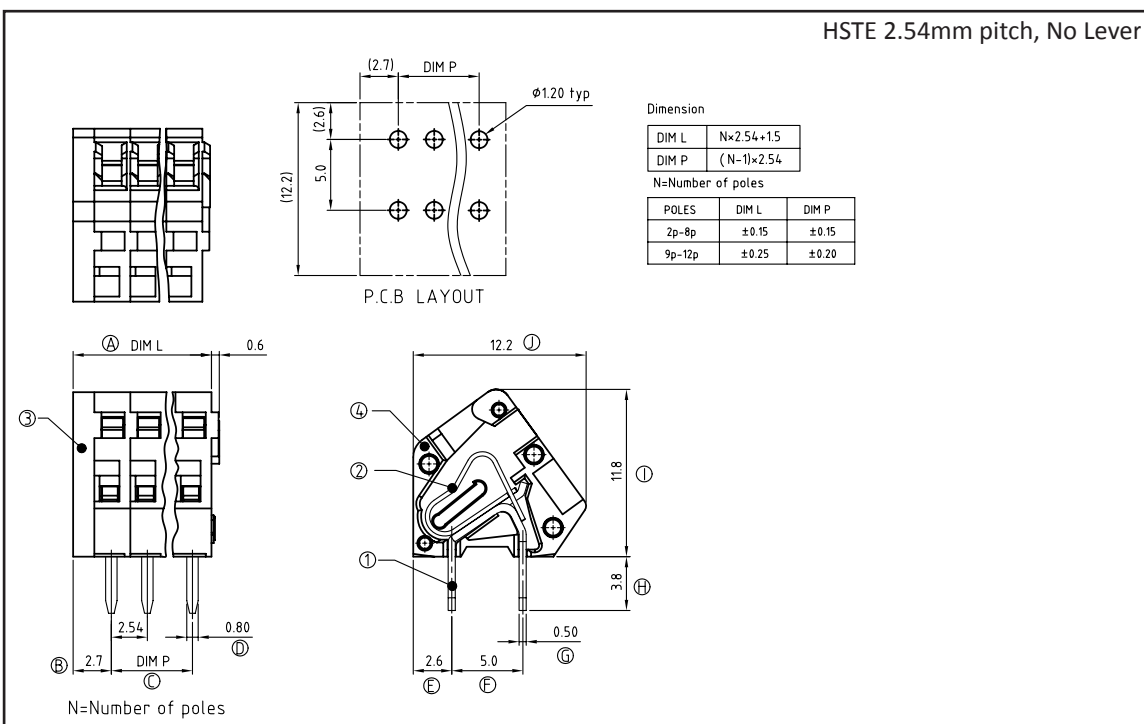
P.C.B LAYOUT



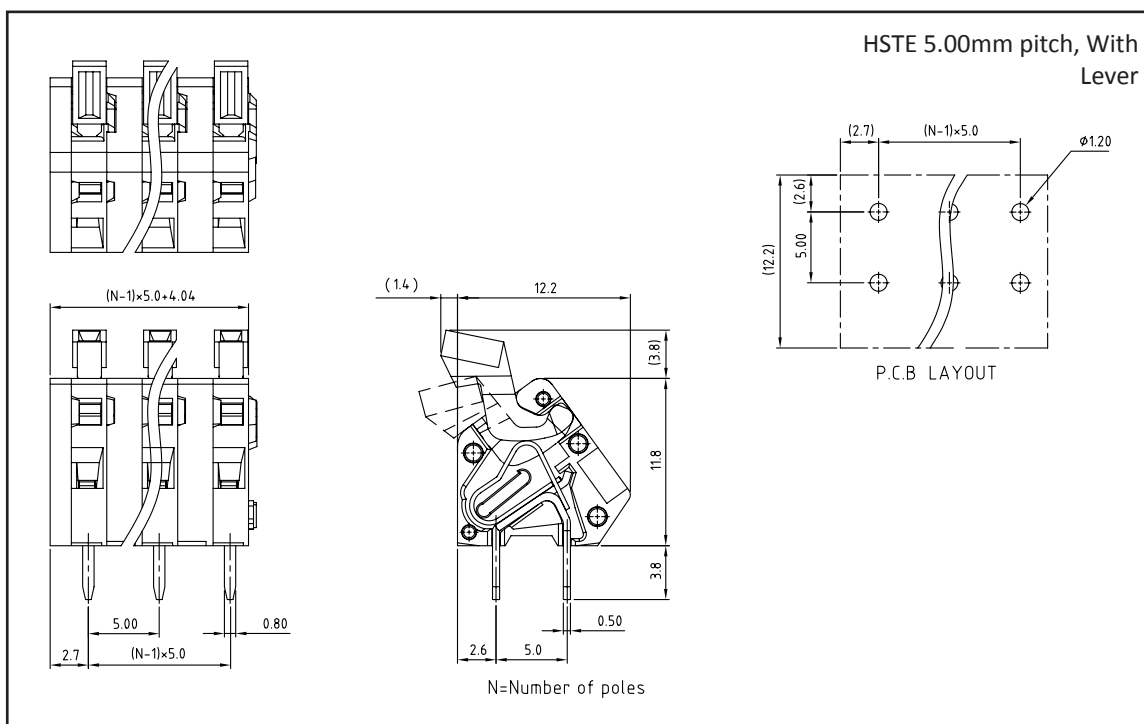
N=Number of poles

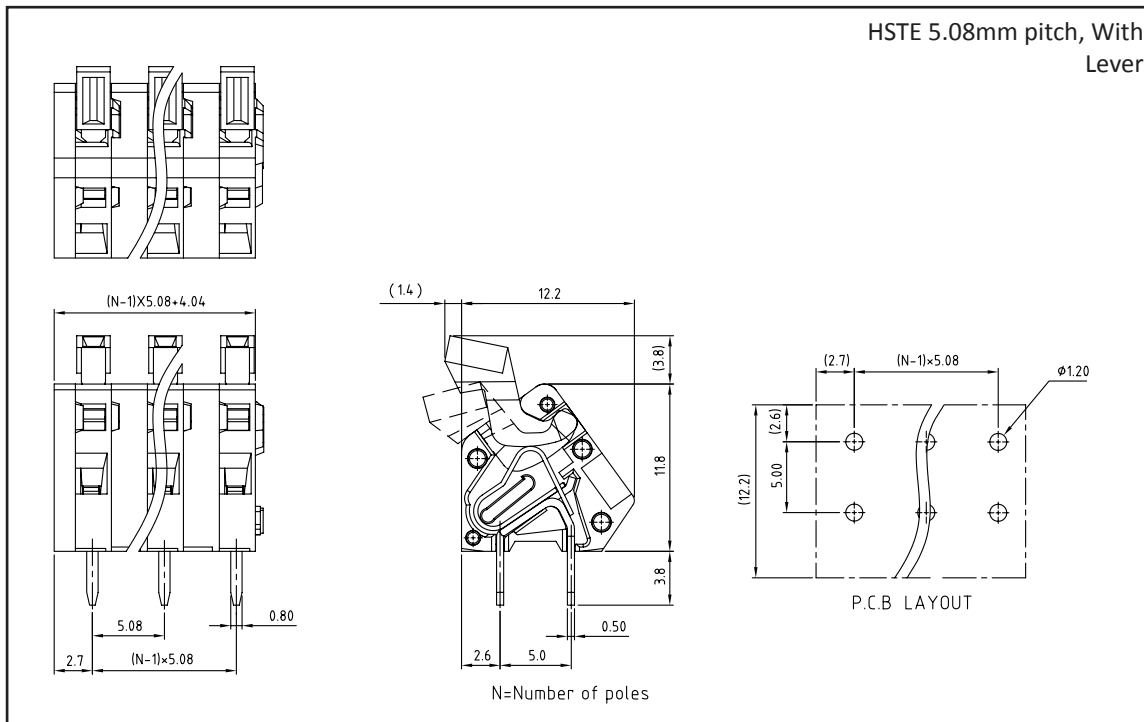


HSTE 2.54mm pitch, No Lever



HSTE 5.00mm pitch, With Lever





ORDERING CODES

