

## TECHNICAL INFORMATION

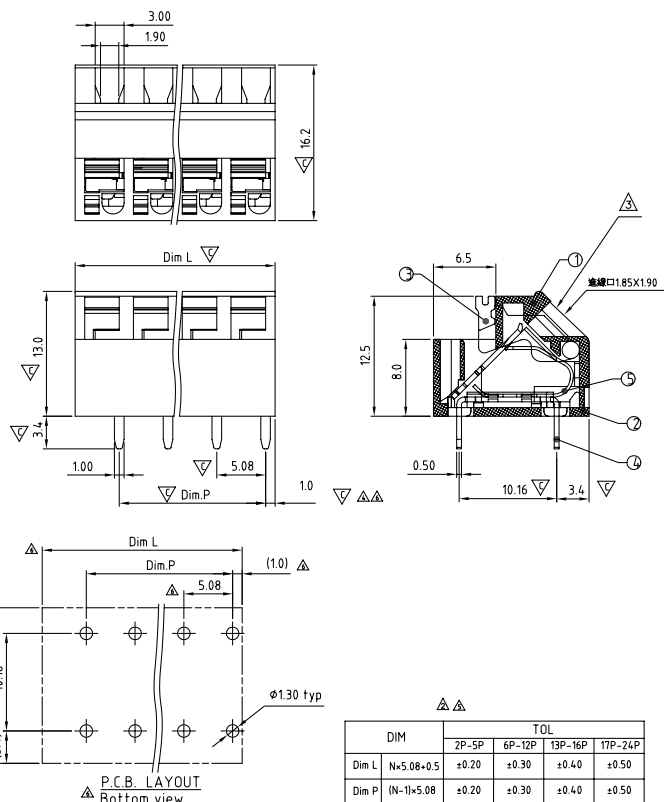
<b>HSTD Series</b>	
Pitch Available (mm)	5.08
Poles Available	2 - 24
Voltage Rating	250V
Current Rating	12A
Withstanding voltage	1.5KV
Operating Temperature	-40°C to +115°C
Soldering Temperature	250°C ± 10°C / 5Sec
Wire Strip Length	6~7mm
Solid Wire (AWG)	16-22
Stranded Wire (AWG)	16-22
UL File No.	E314038

## DRAWINGS

## ON NEXT PAGE



#### HSTD 5.08mm Pitch



**HSTD**

**XX**  
Poles

**X**  
Pitch (mm)

**0**

**X**  
Colour

**X**  
Foot Print

**X X X HG**

02 2 Contacts  
03 3 Contacts  
...  
24 24 Contacts

0 5.08

8 Grey Body (RAL 7004/P)  
Orange Button

0 Double Row

X Special Requests

