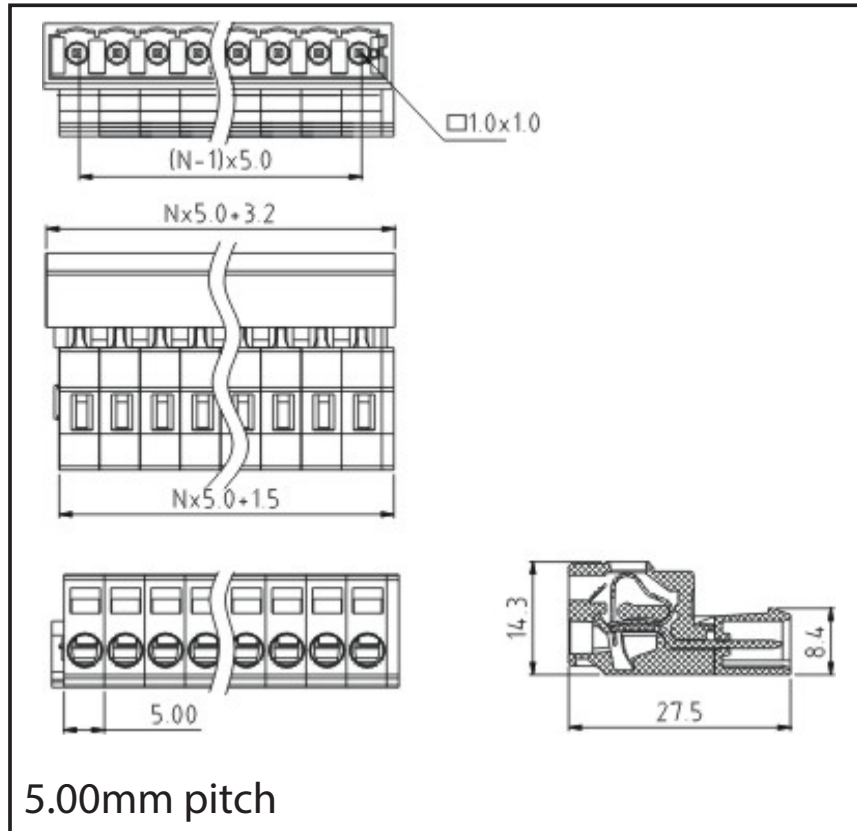
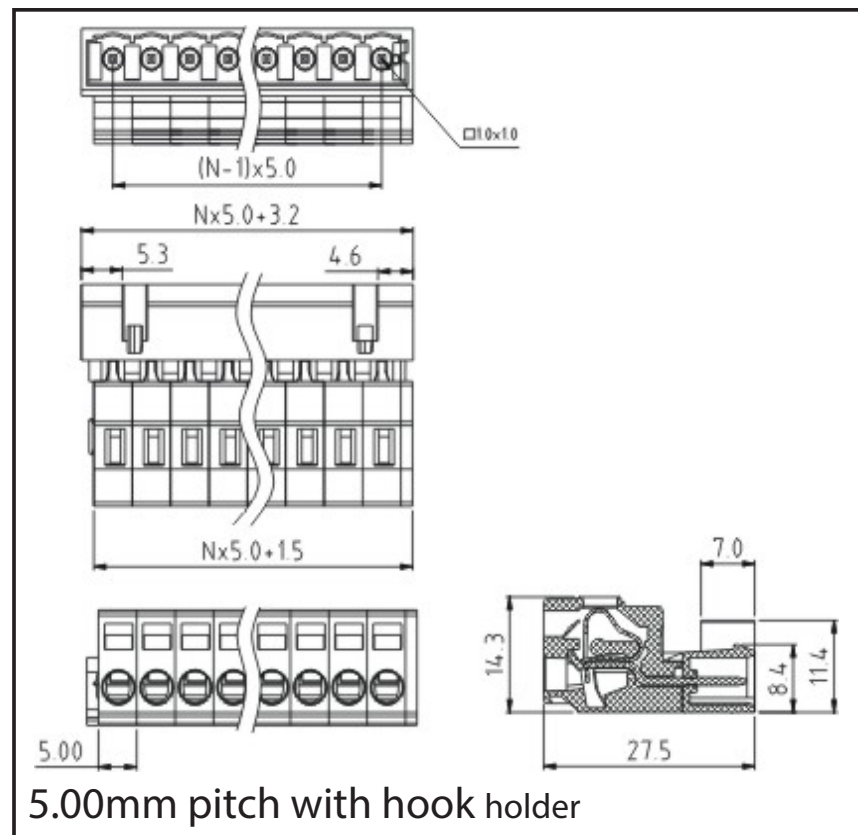
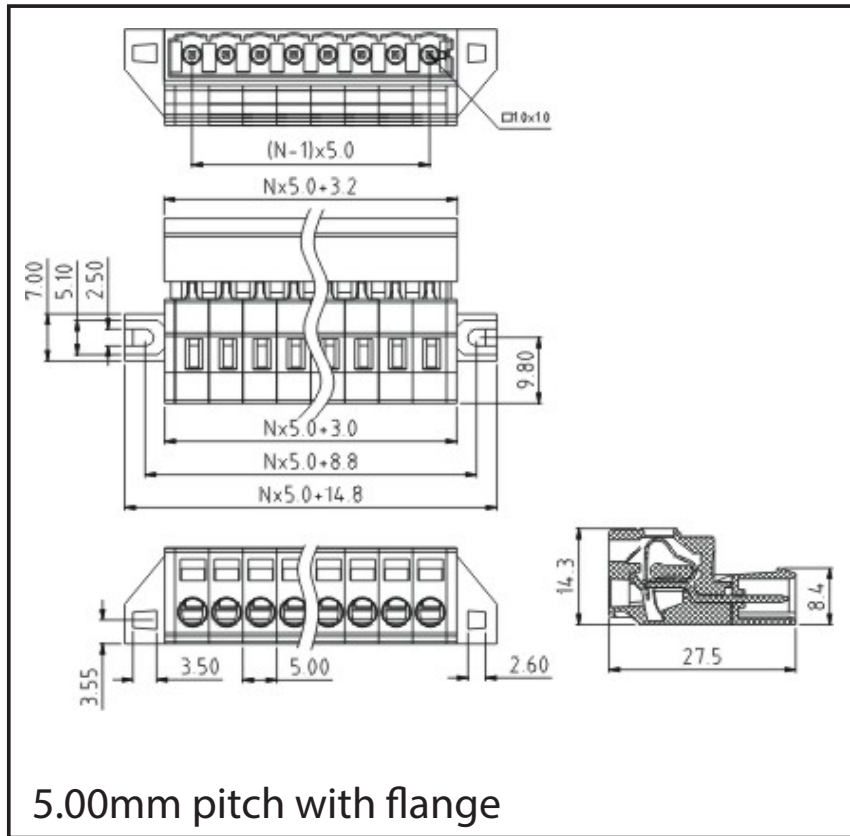


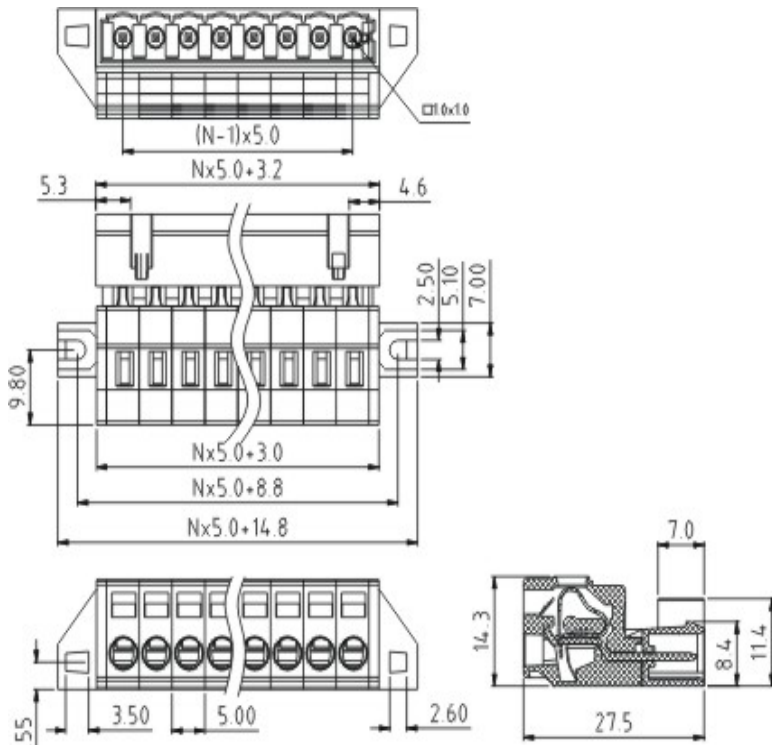
TECHNICAL INFORMATION

| | |
|---------------------------|--------|
| HSFH Series | |
| Pitch Available (mm) | 5.00 |
| Poles Available | 2 - 24 |
| Voltage Rating | 300V |
| Current Rating | 15A |
| Solid Wire (AWG) | 12-28 |
| Withstanding Voltage (KV) | 1.6 |
| Wire strip length (mm) | 6~7 |

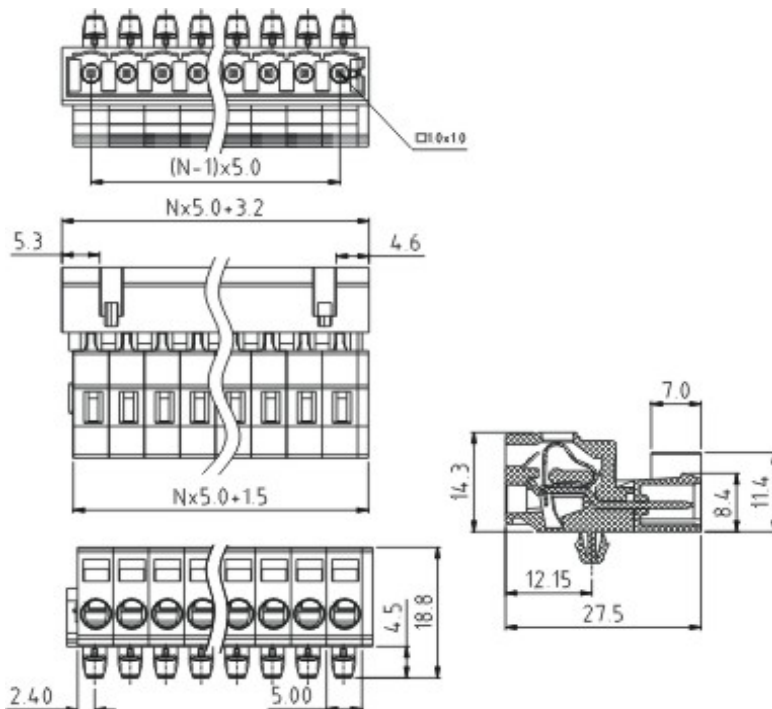
DRAWINGS





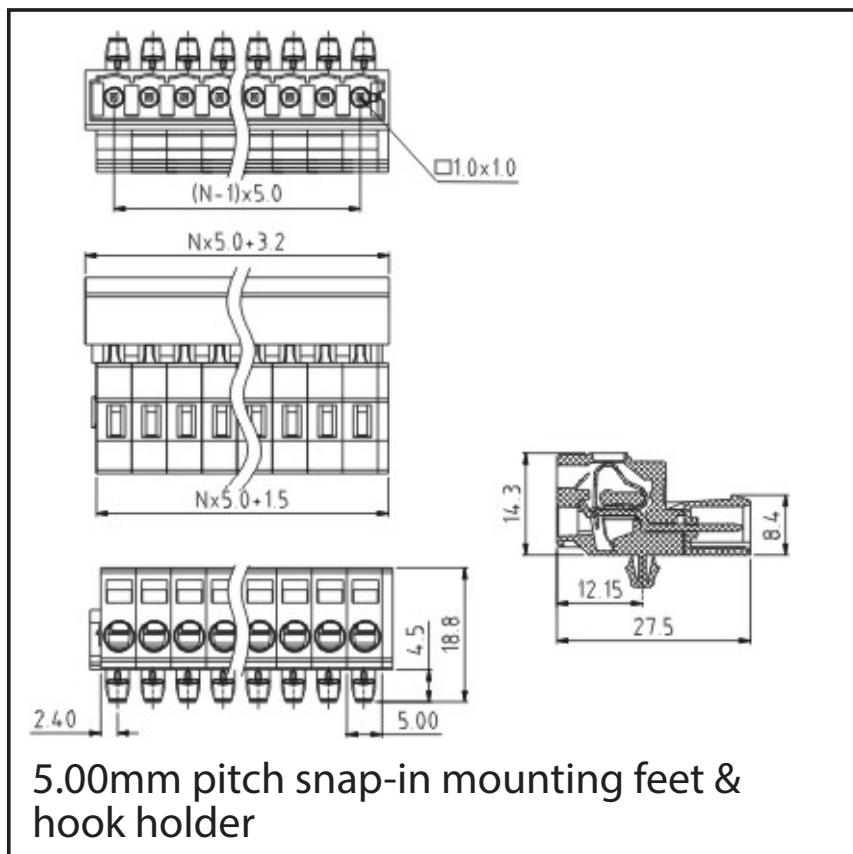


5.00mm pitch with flange & hook holder



5.00mm pitch snap-in mounting feet





ORDERING CODES

| HSFH | XX Poles | 0 | X Body | X Pitch | X Colour |
|------|---|--|-----------|------------|--|
| | 02 2 Contacts 03 3 Contacts ... 24 24 Contacts | 0 Without Flange 1 With Flange 2 With hook holder 3 With flange & hook holder 4 With snap-in mounting feet 5 With snap-in mounting feet & hook holder | | 1 5.00mm | G Grey N Black V Green (RAL6018/7) |

