

TECHNICAL INFORMATION

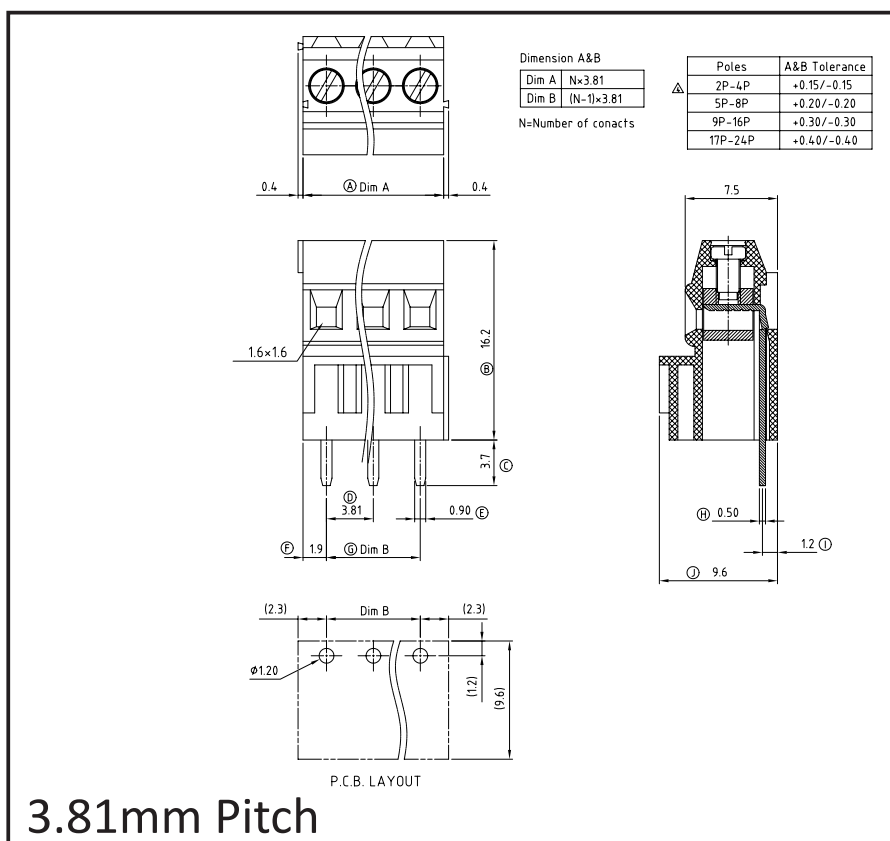
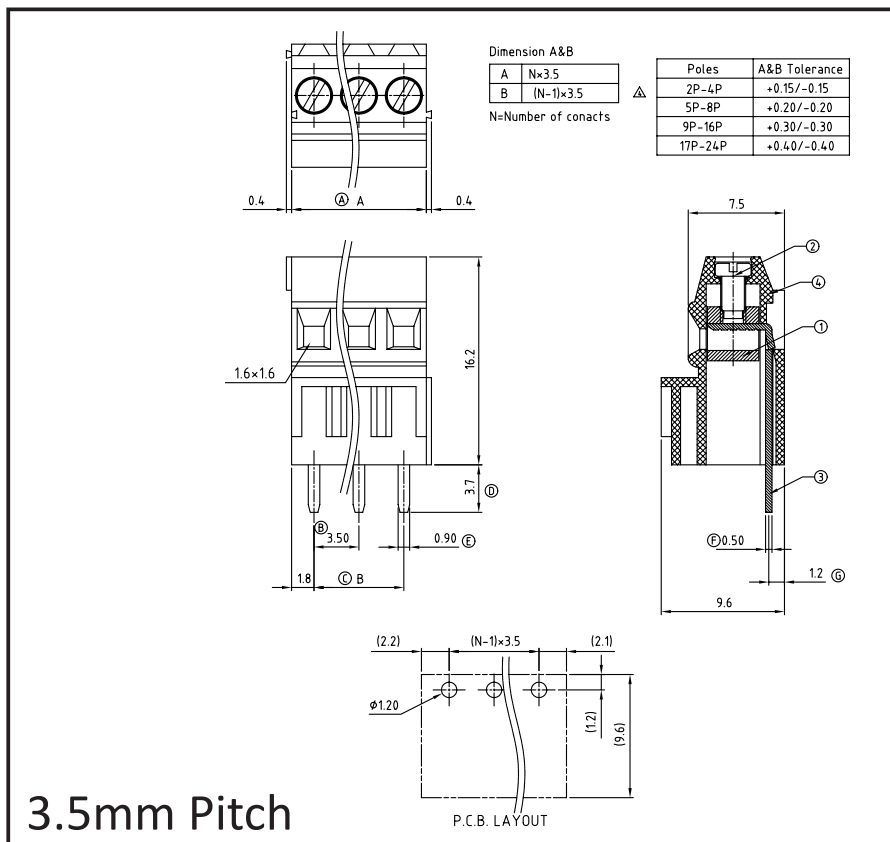
HRTS Series		
Pitch Available (mm)	3.5	3.81
Poles Available	2 - 24	2 - 24
Voltage Rating	300V	
Current Rating	10A	
Withstanding voltage	1.6KV	
Wire Strip Length	5~6mm	
Torque (Lb-In)	1.7	
Solid Wire (AWG)	16-24	
Stranded Wire (AWG)	16-24	
Operating Temperature	-40°C to +115 °C	
Soldering Temperature	250°C ± 10°C / 5 Sec	
RoHS Compliant	Yes	

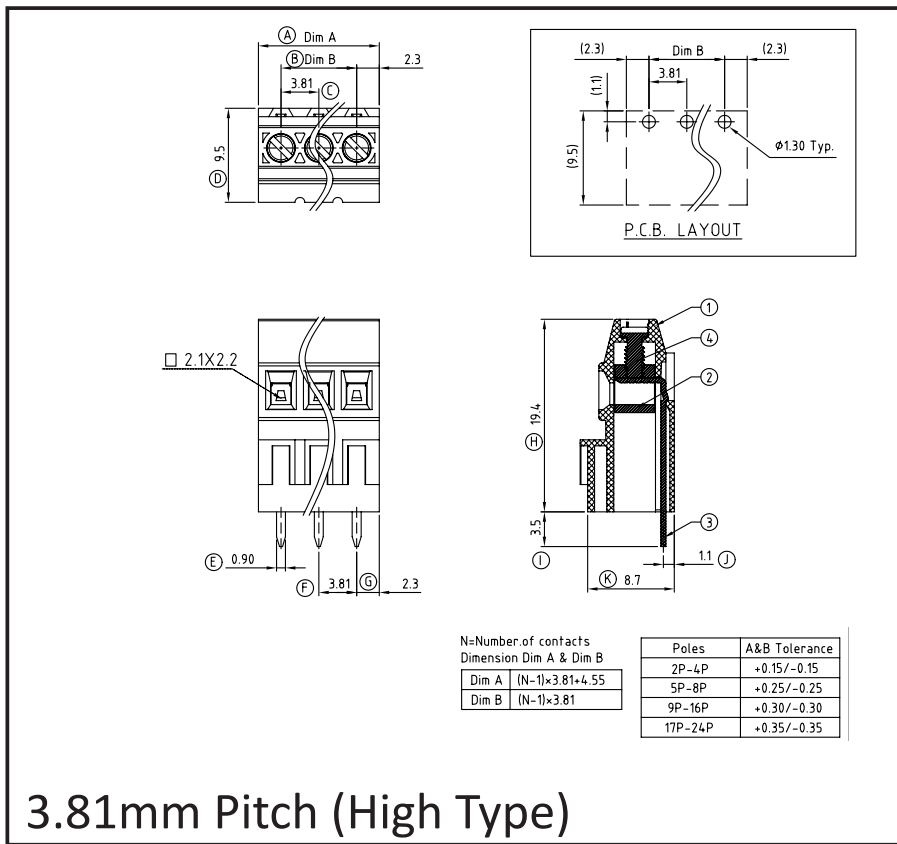
DRAWINGS

See next page



DRAWINGS





ORDERING CODES

HRTS **XX** **0** **0** **X** **X**

No. of Poles	
02	2 Contacts
03	3 Contacts
...	...
24	24 Contacts

Pitch	
8	3.5mm
T	3.81mm

Colour	
N	Black
V	Green (RAL6018/T)
B	Blue
G	Grey

