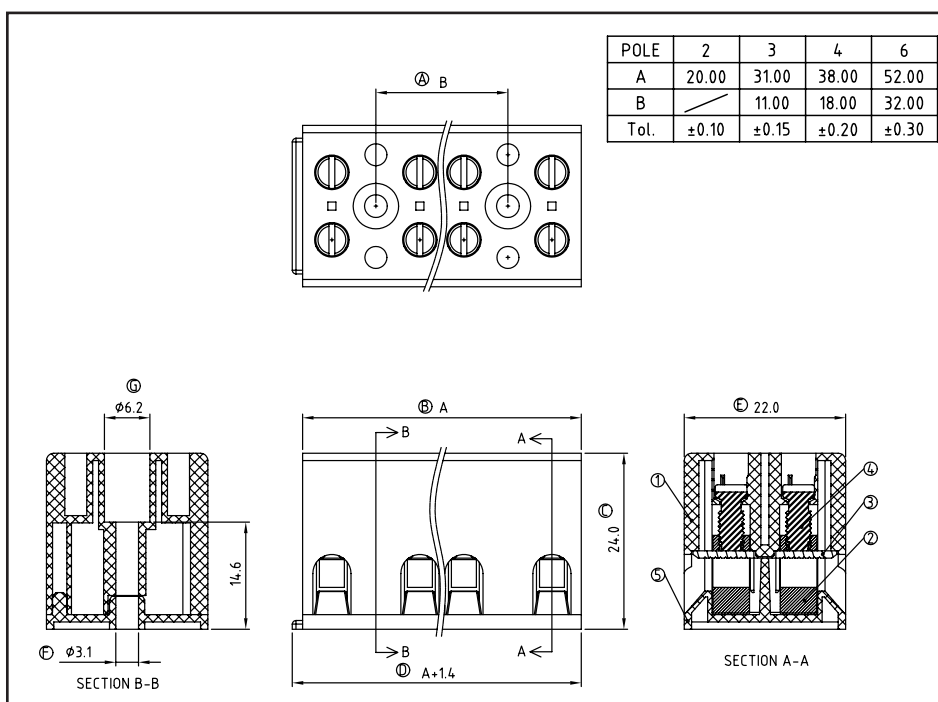




TECHNICAL INFORMATION

HRTR Series	
Poles Available	2, 3, 4, 6 pole
Voltage Rating	300V
Current Rating	30A
Withstanding voltage	1.6KV
Wire Strip Length	7~8mm
Torque (Lb-In)	9Lb-In
Solid Wire (AWG)	10 - 26
Stranded Wire (AWG)	10 - 26
Operating Temperature	-40°C to +115°C
Soldering Temperature	250°C ±10°C /5Sec

DRAWINGS



ORDERING CODES

