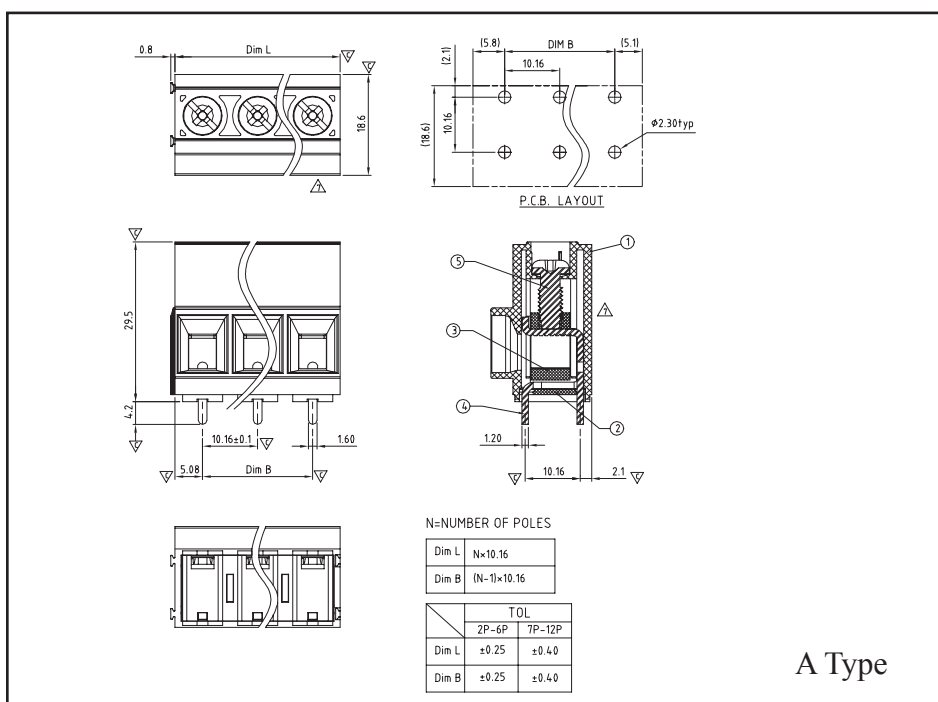


TECHNICAL INFORMATION

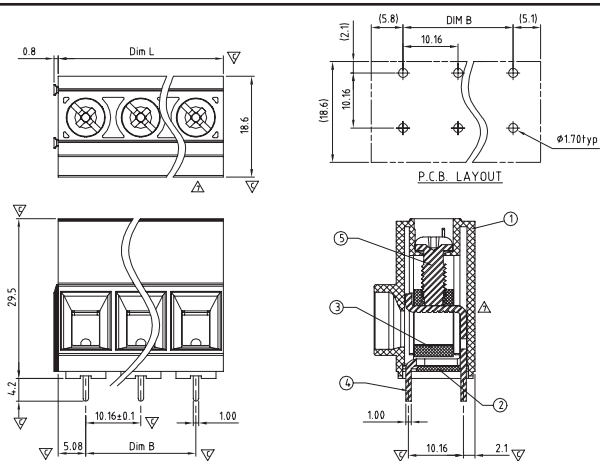
HRTM Series	
Pitch Available (mm)	10.16
Poles Available	2 - 3
Voltage Rating	300V
Current Rating	64A
Withstanding voltage	1.6KV
Wire Strip Length	11~12mm
Torque (Lb-In)	19Lb-In
Solid Wire (AWG)	6 - 22
Stranded Wire (AWG)	6 - 22
Operating Temperature	-40°C to +115°C
Soldering Temperature	250°C ±10°C /5Sec

DRAWINGS



Hitaltech reserve the right to make changes without prior notice. Revision: 1 Date: 17/01/11





N=NUMBER OF POLES

Dim L	N×10.16
Dim B	(N-1)×10.16

	TOL	
	2P-6P	7P-12P
Dim L	±0.25	±0.40
Dim B	±0.25	±0.40

B Type

ORDERING CODES

HRTM **XX** **0** **X** **X** **X**

No. of Poles
02 2 Contacts
03 3 Contacts
... ..

Pin Spacing
0 (Solder Pin size 1.6*1.2)
1 (Solder Pin size 1.0*1.0)

Pitch
6 10.16mm

Colour
N Black

