

Vertical



Horizontal



TECHNICAL INFORMATION

HRTI Series				
Pitch Available (mm)	3.81	5.00	7.5	10.00
Poles Available	2 - 24	2 - 24	2 - 16	2 - 12
Voltage Rating	300V	300V	300V	300V
Current Rating	8A	20A	20A	20A
Withstanding voltage	1.6KV	1.6KV	1.6KV	1.6KV
Wire Strip Length	8~9mm	10~11mm	10~11mm	10~11mm
Torque (Lb-In)	2.4Lb-In	2.4Lb-In	2.4Lb-In	2.4Lb-In
Solid Wire (AWG)	16 - 26	12 - 22	12 - 22	12 - 22
Stranded Wire (AWG)	16 - 26	12 - 22	12 - 22	12 - 22
Operating Temperature	-40°C to +115°C	-40°C to +115°C	-40°C to +115°C	-40°C to +115°C
Soldering Temperature	250°C ±10°C /5Sec	250°C ±10°C /5Sec	250°C ±10°C /5Sec	250°C ±10°C /5Sec

DRAWINGS

Drawings on next pages



DRAWINGS

POLE	2	3	4	5	6	7	8	9	10	11	12	
A	10.12	13.93	17.74	21.55	25.36	29.17	32.98	36.79	40.60	44.41	48.22	
B	3.81	7.62	11.43	15.24	19.05	22.86	26.67	30.48	34.29	38.10	41.91	
Tol.	±0.10											
POLE	13	14	15	16	17	18	19	20	21	22	23	24
A	52.03	55.84	59.65	63.46	67.27	71.08	74.89	78.70	82.51	86.32	90.13	93.94
B	45.72	49.53	53.34	57.15	60.96	64.77	68.58	72.39	76.20	80.01	83.82	87.63
Tol.	±0.20											

3.81mm Horizontal

POLE	2	3	4	5	6	7	8	9	10	11	12	
A	10.12	13.93	17.74	21.55	25.36	29.17	32.98	36.79	40.60	44.41	48.22	
B	3.81	7.62	11.43	15.24	19.05	22.86	26.67	30.48	34.29	38.10	41.91	
Tol.	±0.10											
POLE	13	14	15	16	17	18	19	20	21	22	23	24
A	52.03	55.84	59.65	63.46	67.27	71.08	74.89	78.70	82.51	86.32	90.13	93.94
B	45.72	49.53	53.34	57.15	60.96	64.77	68.58	72.39	76.20	80.01	83.82	87.63
Tol.	±0.20											

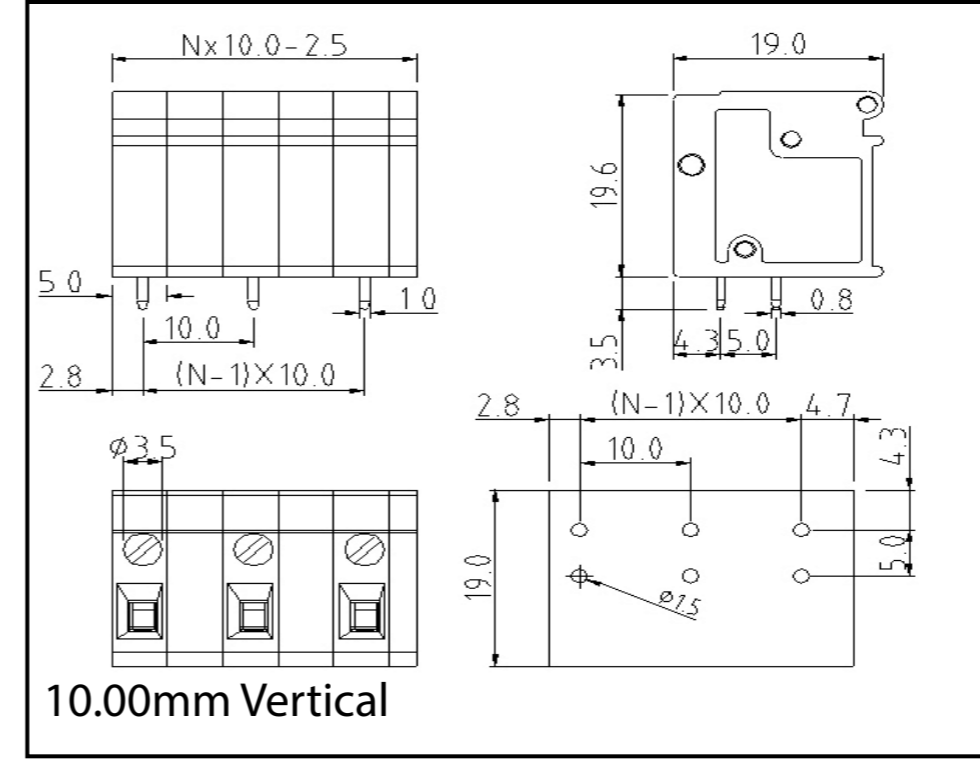
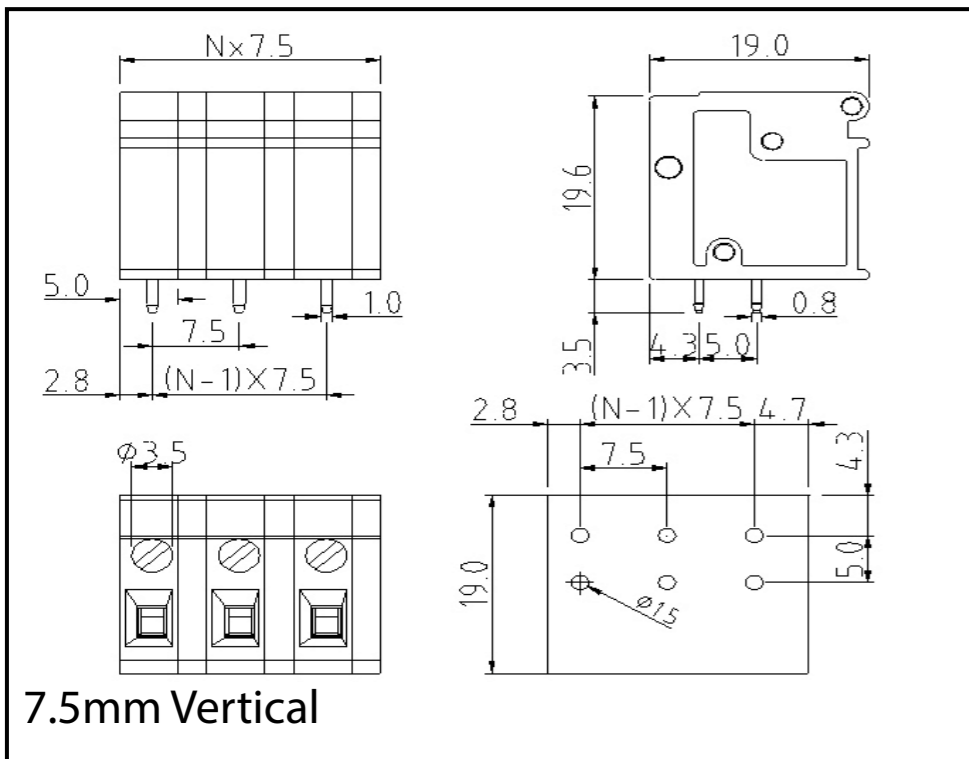
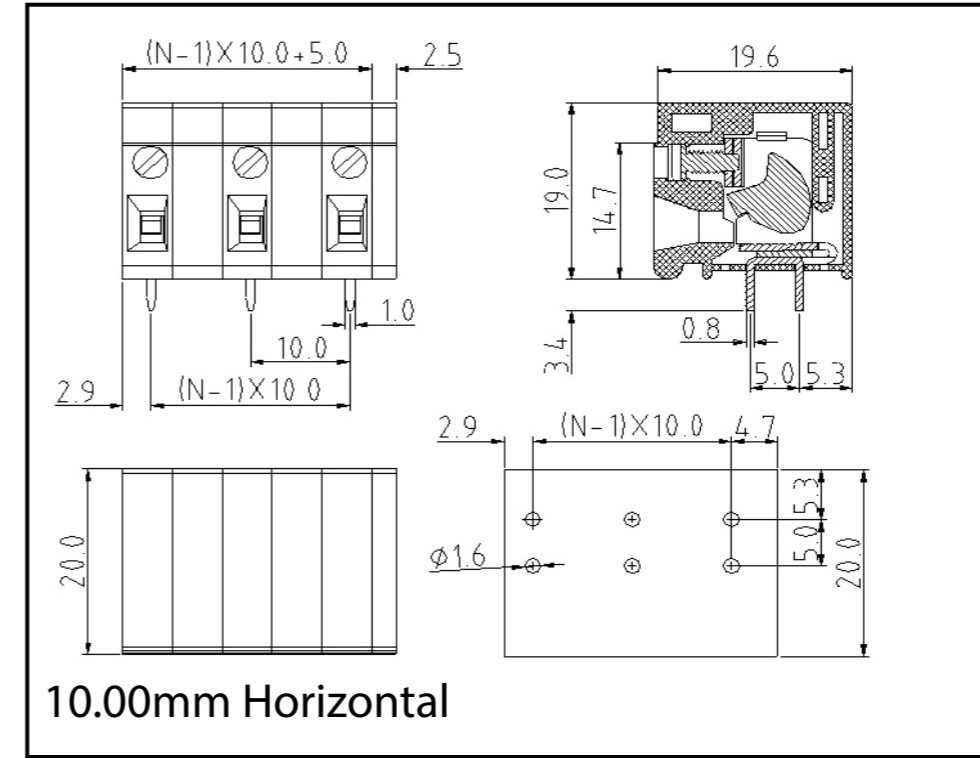
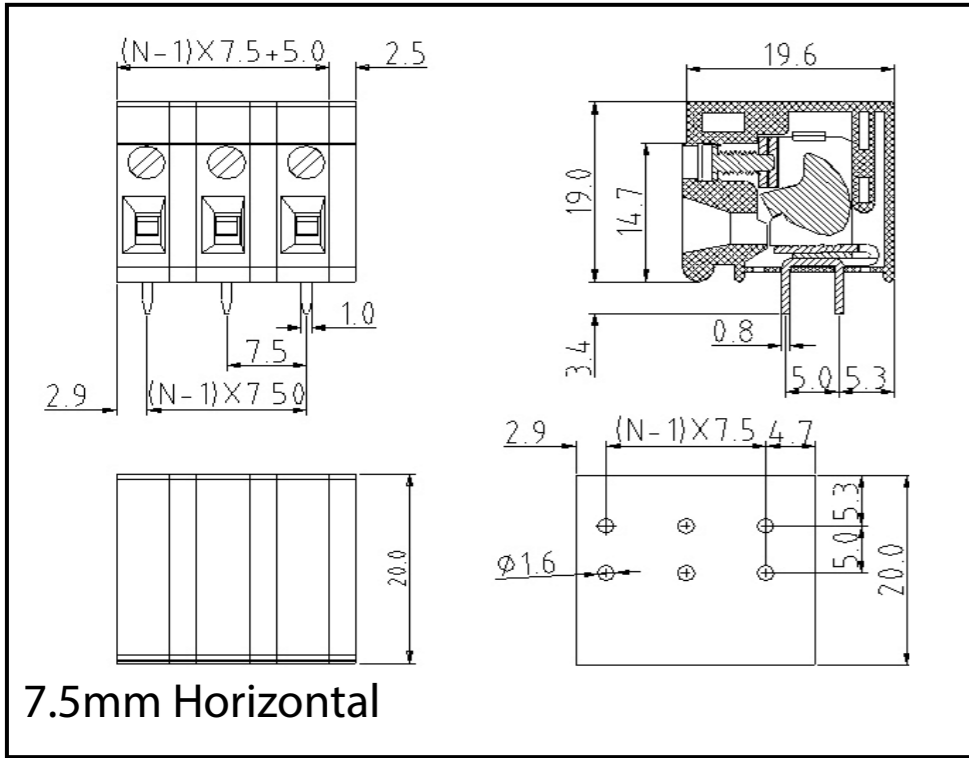
5.00mm Horizontal

POLE	2	3	4	5	6	7	8	9	10	11	12	
A	10.12	13.93	17.74	21.55	25.36	29.17	32.98	36.79	40.60	44.41	48.22	
B	3.81	7.62	11.43	15.24	19.05	22.86	26.67	30.48	34.29	38.10	41.91	
Tol.	±0.10											
POLE	13	14	15	16	17	18	19	20	21	22	23	24
A	52.03	55.84	59.65	63.46	67.27	71.08	74.89	78.70	82.51	86.32	90.13	93.94
B	45.72	49.53	53.34	57.15	60.96	64.77	68.58	72.39	76.20	80.01	83.82	87.63
Tol.	±0.20											

3.81mm Vertical

POLE	2	3	4	5	6	7	8	9	10	11	12	
A	10.12	13.93	17.74	21.55	25.36	29.17	32.98	36.79	40.60	44.41	48.22	
B	3.81	7.62	11.43	15.24	19.05	22.86	26.67	30.48	34.29	38.10	41.91	
Tol.	±0.10											
POLE	13	14	15	16	17	18	19	20	21	22	23	24
A	52.03	55.84	59.65	63.46	67.27	71.08	74.89	78.70	82.51	86.32	90.13	93.94
B	45.72	49.53	53.34	57.15	60.96	64.77	68.58	72.39	76.20	80.01	83.82	87.63
Tol.	±0.20											

5.00mm Vertical



ORDERING CODES

