

# PCB MOUNTED TERMINAL BLOCKS

## HRTC Series

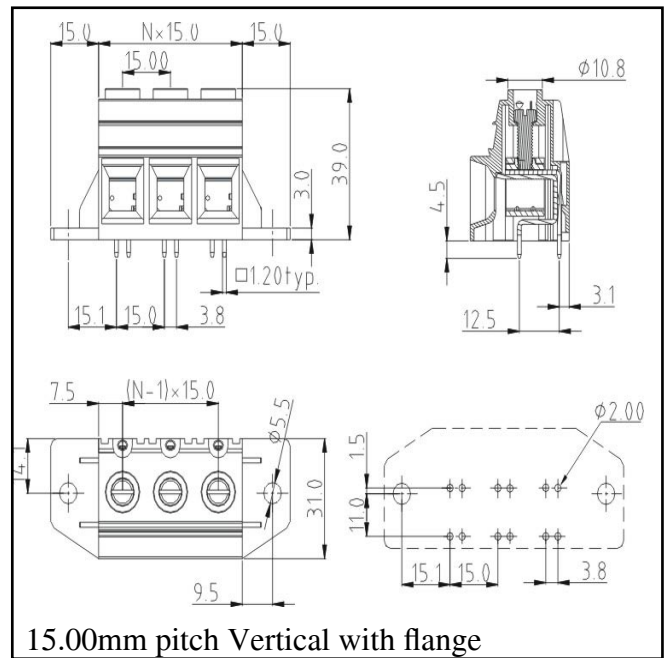
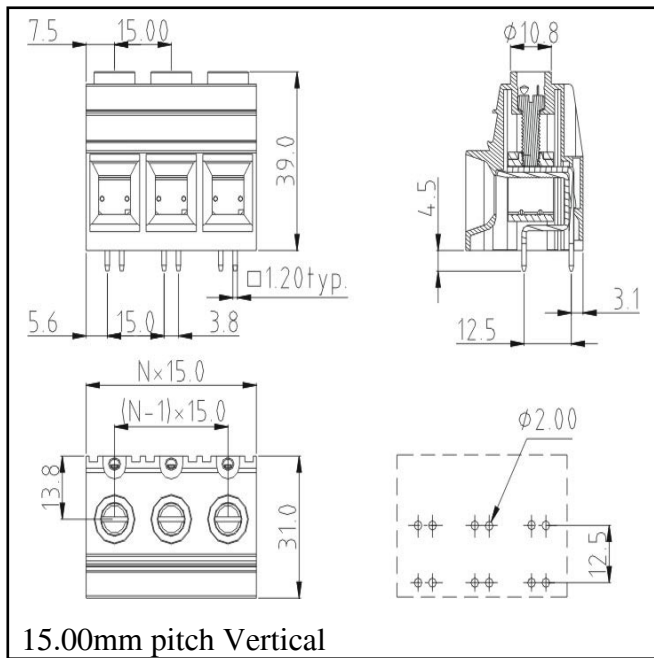


[www.hitaltech.com](http://www.hitaltech.com)

### TECHNICAL DATA

Pitch Available (mm)	15.00
Poles Available	2 to 12
Voltage Rating	1000V
Current Rating	125A
Solid Wire (AWG)	2 to 20
Stranded Wire (AWG)	2 to 20
Wire Strip Length	10~11mm
Withstanding voltage	1.6KV
Operating temperature	-30°C + 105 °C
Soldering Temperature	250°C ± 10°C/ 5 Sec
Housing	Thermoplastic (UL94V-0)

### DRAWINGS



### ORDERING CODES

<b>HRTC</b>	<b>XX</b> Poles	<b>X</b> Mounting Type	<b>0</b>	<b>X</b> Pitch	<b>X</b> Colour
	02 2 Contacts 03 3 Contacts ... 12 12 Contacts	0 Single tail without flange 1 Double tail without flange 2 Single tail with flange 3 Double tail with flange		J 15.00mm	V Green (RAL6018/T)