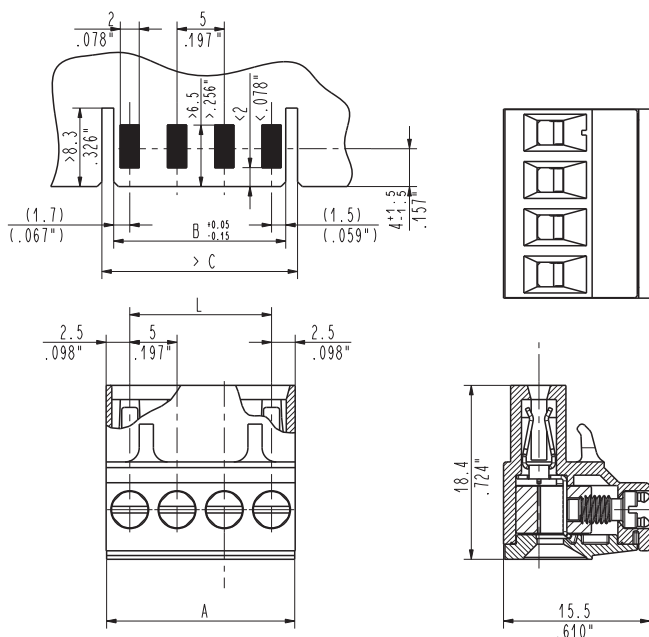


TECHNICAL INFORMATION

CUF Series	Side stackable	Closed	Side stackable	Closed
Pitch Available (mm)	5.00	5.00	10.00	10.00
Poles Available	2 - 16	2 - 16	2 - 8	2 - 8
Voltage Rating	300V	300V	600V	600V
Current Rating	10A			
Operating Temperature	-40°C to +110 °C			
Stripping Length	6 ÷ 7.5mm (.24 ÷ .30 in)			
Solid Wire Section	30 ÷ 12 AWG (UL)			
Stranded Wire Section	30 ÷ 12 AWG (UL)			
RoHS Compliant	Yes			

DRAWINGS



Side stackable, 5mm pitch

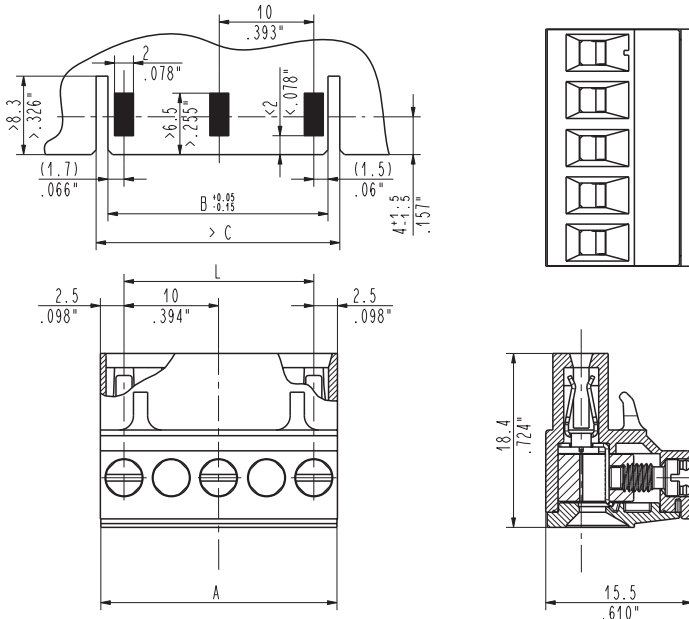
DIMENSIONS

Poles	A	B	C
02	10	8.2	10.7
03	15	13.2	15.7
04	20	18.2	20.7
05	25	23.2	25.7
06	30	28.2	30.7
07	35	33.2	35.7
08	40	38.2	40.7
09	45	43.2	45.7
10	50	48.2	50.7
11	55	53.2	55.7
12	60	58.2	60.7
13	65	63.2	65.7
14	70	68.2	70.7
15	75	73.2	75.7
16	80	78.2	80.7

board thickness: 1.6mm
L = pitch x (poles - 1)



Side stackable, 10mm pitch

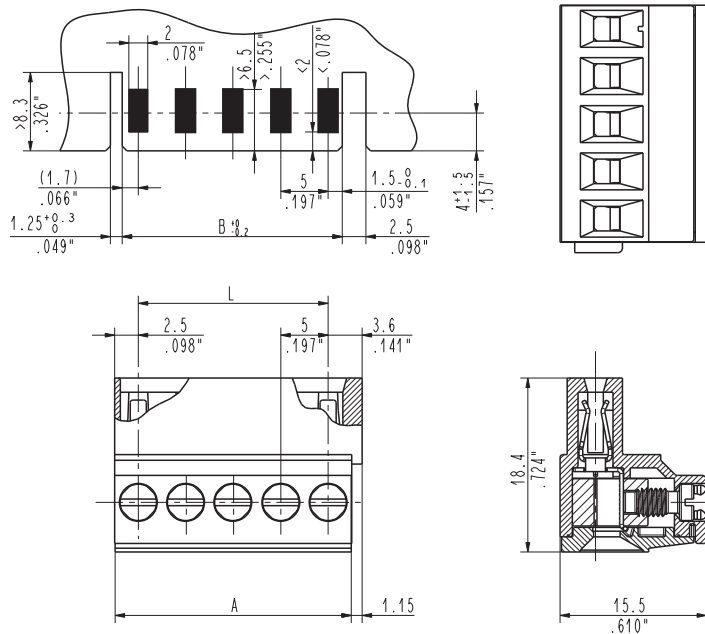


DIMENSIONS

Poles	A	B	C
02	15	13.2	15.7
03	25	23.2	25.7
04	35	33.2	35.7
05	45	43.2	45.7
06	55	53.2	55.7
07	65	63.2	65.7
08	75	73.2	75.7

board thickness: 1.6mm
L = pitch x (poles - 1)

Closed ends, 5mm pitch

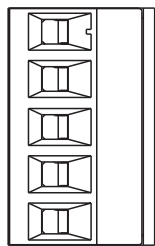
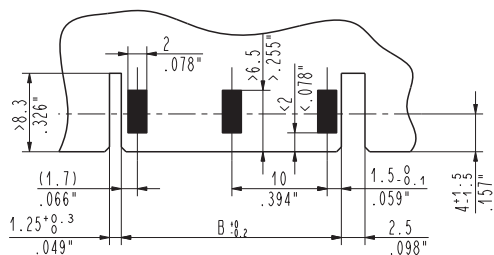


DIMENSIONS

Poles	A	B
02	10	8.2
03	15	13.2
04	20	18.2
05	25	23.2
06	30	28.2
07	35	33.2
08	40	38.2
09	45	43.2
10	50	48.2
11	55	53.2
12	60	58.2
13	65	63.2
14	70	68.2
15	75	73.2
16	80	78.2

board thickness: 1.6mm
L = pitch x (poles - 1)

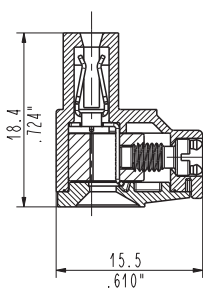
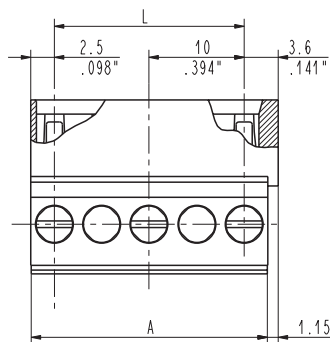




Closed ends, 10mm pitch

DIMENSIONS

Poles	A	B
02	15	13.2
03	25	23.2
04	35	33.2
05	45	43.2
06	55	53.2
07	65	63.2
08	75	73.2



board thickness: 1.6mm
L = pitch x (poles - 1)

ORDERING CODES

